



Belt Drive Backwardly Inclined SWSI Centrifugal Blower

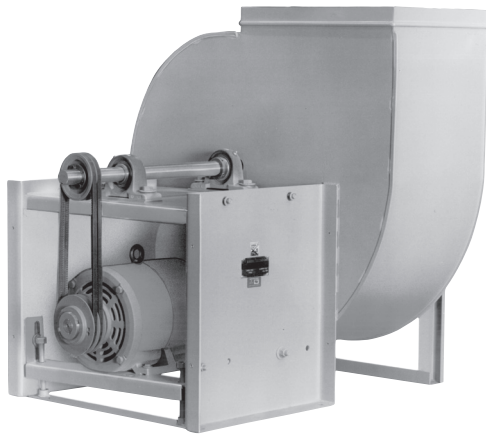
Model 3000 Series

Est. 1938

Includes the following Model/Options					
3000C1	Class 1 Standard Fan	3000C1H	Class 1 Hurricane Fan	Miami Dade County Approved	
3000C2	Class 2 Standard Fan	3000C2H	Class 2 Hurricane Fan	Miami Dade County Approved	



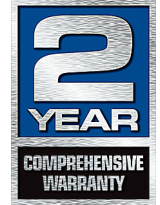
Model 3000 is a belt drive fan with a backwardly inclined centrifugal wheel and is designed for high efficiency and low sound. The 3000 utility set is a heavy duty fan with capacities up to 81,504 CFM and up to 11" static pressure. Available in Class 1 and 2 design both Clockwise CW rotation and Counter-Clockwise CCW rotation, and in seven discharge positions. The maximum operating temperature for the 3000 series is 300°F. The 3000 heavy duty design insures years of maintenance free operations.



Construction Features

Housing

- Heavy duty steel housing with lock-formed construction
- Mechanically seamed construction
- Aerodynamically designed housing with high efficiency inlet
- Design allows for clockwise or counterclockwise rotation with changing impeller
- Heavy gauge steel coated in charcoal baked enamel with UV inhibitors
- Fully gasketed and bolted access door on fan scroll is standard
- Corrosion resistant fasteners



Backward Inclined Centrifugal Wheel

- Flat blade steel wheels welded to back plate and rims
- Non-overloading design for safe operation
- Statically and dynamic balanced to AMCA Standard 204-5

Bearings

- Heavy duty self-aligning regreaseable ball bearings in a cast pillow block housing
- Rated at L50 life of 200,000
- 2 year limited warranty

Drive Assembly

- Adjustable pitch motor sheave
- Cast iron drives sized for 150% of drive horsepower
- Static free, oil and heat resistant belts

Motor and Drive Support Base

- Continuous duty motors mounted on heavy duty steel base
- Base adjustable for easy belt take-up and slotted to accept various motor frames without redrilling

Options/Accessories

- Field rotatable up to seven discharge positions (sizes 12-37 only)
- Aluminum Construction
- Dampers
- Continuous Welded Housing
- Weather Cover/Belt Guard
- Housing Drain
- Vibration Isolators
- Inlet/Outlet Guard
- Inlet and Outlet Flanges
- Inlet and Outlet Companion Flanges
- Spark Resistant Construction (AMCA B)
- Coatings
- Shaft Seal
- Extended Lube Lines
- Disconnect Switch

Blowers and General Ventilation

3000C1H & 3000C2H

Class 1 and 2 Hurricane Rated Option for 3000 Model

- Hurricane model is available in sizes 3012 through 3037
- Model 3000 high wind and hurricane fans are certified as a complete system
- Models are certified to all three Miami-Dade procedures for static loading, missile impact and cycle loading.
- Heavy-duty, continuously welded steel housing
- Secure internal support and flanged discharge
- Available in 7 discharge positions on all sizes
- Clockwise and counterclockwise impeller rotation
- Air and Sound Performance - same as 3000 model
- Dimensions - Same as 3000 model
- For submittals, detail air and sound information and available options and accessories, please go online to FANtastic!® Commercial www.acmefan.com



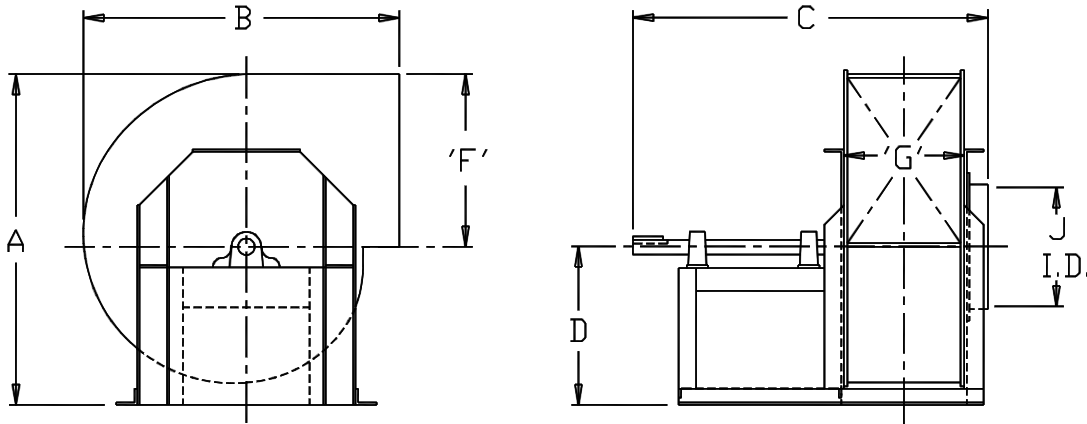
Acme Engineering & Manufacturing Corporation certifies that the models shown herein are licensed to bear the AMCA seal. The ratings shown are based on tests and procedures performed in accordance with AMCA Publication 211 and AMCA Publication 311 and comply with the requirements of the AMCA Certified Ratings Program.



Belt Drive Backwardly Inclined SWSI Centrifugal Blower

Model 3000 Series

Est. 1938

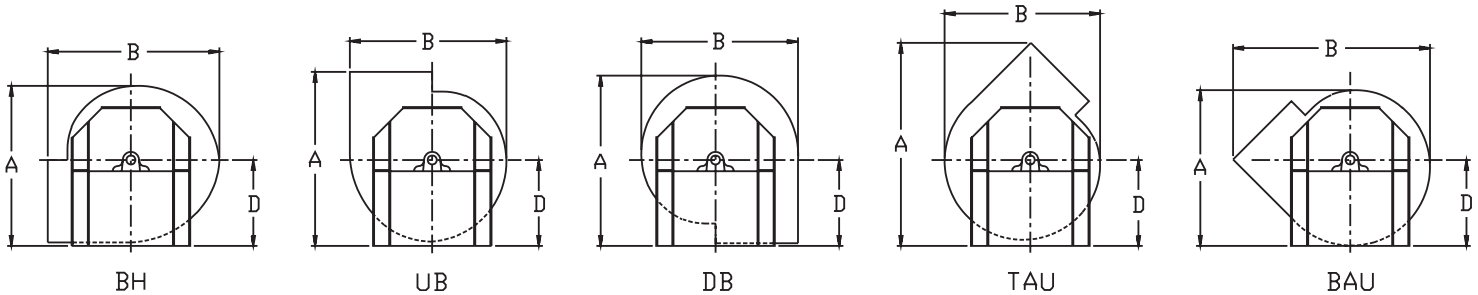


Clockwise Top Horizontal (TH)
Optional Counter Clockwise dimensions are equal and opposite

Model	DIMENSIONS																				Est. Wt. CL/1	Est. Wt. CL/2		
	A						B						C	D						F			G	J
	TH	BH	UB	DB	TAU	BAU	TH	BH	UB	DB	TAU	BAU		TH	BH	BAU	UB	TAU	DB					
3012	34 3/4	32	33 1/4	34	39	31 3/8	24 1/4	24 1/4	23 3/4	23 3/4	22 7/8	29	33 5/8	21 1/2	21 1/2	21 1/2	21 1/2	21 1/2	21 1/2	13	9 3/4	13 1/2	150	160
3013	36 1/8	33	34	35 1/4	40 1/2	32 3/8	26 3/8	26 3/8	26 1/8	26 1/8	25 1/8	31 5/8	35 1/4	21 1/2	21 1/2	21 1/2	21 1/2	21 1/2	21 1/2	14 1/4	10 7/8	14 3/4	170	180
3015	37 5/8	34 1/4	35 1/4	36 3/4	42 3/8	33 1/2	29	29	29	29	27 7/8	34 7/8	35 1/2	21 1/2	21 1/2	21 1/2	21 1/2	21 1/2	21 1/2	15 7/8	11 3/4	16 1/4	205	225
3016	39 1/4	33 1/2	36 1/4	38 1/4	44 1/8	34 3/4	31 1/2	31 1/2	31 3/4	31 3/4	30 5/8	38 1/8	37 1/8	21 1/2	21 1/2	21 1/2	21 1/2	21 1/2	21 1/2	17 3/8	13 1/8	18 1/4	240	260
3018	43 5/8	39 1/2	40	42 5/8	48 3/4	38 5/8	34 3/8	34 3/8	34 1/2	35 1/8	33 5/8	41 3/4	40 3/4	24	24	24	24	24	24	19 1/4	14 1/2	20	261	275
3020	45 3/8	41	41 1/8	44 1/4	51	40	37 3/8	37 3/8	38 3/8	38 1/4	36 7/8	45 5/8	42 1/4	24	24	24	24	24	24	21 1/8	16	21 3/4	314	330
3022	49 1/4	44 3/8	44 1/4	48	55 1/4	43 1/4	41 1/8	41 1/8	42 5/8	42 5/8	41	50 3/8	44	25 1/2	25 1/2	25 1/2	25 1/2	25 1/2	25 1/2	23 1/2	17 5/8	24	361	380
3024	55 1/8	49 5/8	49 1/4	53 3/4	61 5/8	48 1/2	45	45	46 7/8	46 7/8	45	55 1/4	49 1/2	29	29	29	29	29	29	25 3/4	19 1/2	27	494	520
3027	59 3/4	53 3/4	53 1/4	58 1/8	66 7/8	52 3/8	49 3/8	49 3/8	51 1/2	51 1/2	49 1/2	60 3/4	51 7/8	31	31	31	31	31	31	28 1/2	21 1/2	29 1/2	551	580
3030	66	59 1/4	58 1/4	64 1/8	73 1/2	57 3/4	54 3/8	54 3/8	57 1/8	57 1/8	55	67 1/8	53 7/8	34	34	34	34	34	34	31 5/8	23 5/8	32 1/2	736	775
3033	77 3/8	69 3/4	68 5/8	75 3/8	85 1/2	68 1/8	59 1/2	59 1/2	62 7/8	62 7/8	60 3/8	73 5/8	65 5/8	42	42	42	42	42	42	34 3/4	26 1/4	35 1/2	903	950
3037	81	72 7/8	71 1/8	78 3/4	89 7/8	71 1/8	65 1/2	65 1/2	69 1/2	69 1/2	66 3/4	81 1/4	69 5/8	42 1/4	42 1/4	42 1/4	42 1/4	42 1/4	42 1/4	38 1/2	28 7/8	39	998	1050
3040	80 1/8	80 1/4	75 3/4	72 1/2	n/a	n/a	72 3/4	72 3/4	77 3/8	77 3/8	n/a	n/a	73 1/4	37	46	n/a	43 3/4	n/a	31 3/4	42 3/4	32	43 1/2	1283	1350
3045	88 1/8	88 1/4	83	80	n/a	n/a	80	80	85 3/8	85 3/8	n/a	n/a	77 1/2	40 1/2	50 1/2	n/a	48	n/a	35	47 1/4	35 1/4	47 3/4	1454	1530
3049	96 5/8	96 3/4	90 3/4	87 3/4	n/a	n/a	87 3/4	87 3/4	93 3/4	93 3/4	n/a	n/a	82	44 1/4	55 1/4	n/a	52 1/2	n/a	38 1/4	51 7/8	39	52 1/2	1781	1875
3054	106 5/8	106 3/4	99 1/2	96 5/8	n/a	n/a	96 5/8	96 5/8	103 3/4	103 3/4	n/a	n/a	87 1/2	48 3/4	61	n/a	57 1/2	n/a	42	57 1/2	43	58 1/4	2109	2220

Dimensions are shown in inches.
Weights are shown in pounds.
Weights shown are less motor and drives.

Angular Discharge Dimensions



Clockwise

MAXIMUM CLASS OPERATING RPM
FAN TEMPERATURE

SINGLE WIDTH
SINGLE INLET

SIZE 3013

SIZE 3013	-20° to 300°F -29° to 149°C
CLASS I	3158
CLASS II	4120

Wheel Diameter	13.50 inches	343 mm
Wheel Circumference	3.53 feet	1.076 m
Inlet Diameter/Area	14.75 inches dia./1.19 sq. ft.	375 mm/.1106 m ²
Outlet Size/Area	14.10 x 10.73 inches I.D./1.05 sq. ft.	358 x 273 mm/.0975 m ²
Tip Speed	3.53 x RPM ft./minute	1.075 x RPM m/minute
Maximum BHP	.108 x (RPM ÷ 1000) ³ BHP	.0329 x (RPM ÷ 1000) ³ kW

VOL CFM	OV FPM	½" SP		¾" SP		1" SP		1¼" SP		1½" SP		1¾" SP		2" SP	
		RPM	BHP	RPM	BHP	RPM	BHP	RPM	BHP	RPM	BHP	RPM	BHP	RPM	BHP
840	800	843	0.07	916	0.09	982	0.11	1048	0.13	1109	0.15	1168	0.18	1226	0.20
945	900	916	0.08	979	0.11	1043	0.13	1101	0.15	1160	0.18	1216	0.20	1268	0.23
1050	1000	991	0.11	1047	0.13	1106	0.15	1162	0.18	1215	0.21	1267	0.23	1319	0.26
1155	1100	1067	0.13	1120	0.16	1170	0.18	1225	0.21	1276	0.24	1324	0.27	1371	0.30
1260	1200	1144	0.16	1195	0.19	1242	0.21	1289	0.24	1338	0.27	1385	0.30	1430	0.34
1365	1300	1223	0.19	1271	0.22	1316	0.25	1358	0.28	1402	0.31	1448	0.35	1491	0.38
1470	1400	1301	0.23	1348	0.26	1391	0.29	1431	0.32	1470	0.36	1512	0.39	1554	0.43
1575	1500	1381	0.27	1425	0.30	1466	0.34	1506	0.37	1543	0.41	1579	0.45	1618	0.48
1680	1600	1461	0.31	1504	0.35	1543	0.39	1581	0.43	1617	0.46	1652	0.50	1685	0.54
1785	1700	1541	0.37	1582	0.41	1621	0.45	1657	0.49	1692	0.53	1725	0.57	1758	0.61
1890	1800	1622	0.43	1661	0.47	1699	0.51	1734	0.55	1767	0.59	1800	0.64	1832	0.68
1995	1900	1704	0.49	1741	0.54	1777	0.58	1811	0.62	1844	0.67	1875	0.71	1906	0.76
2100	2000	1785	0.56	1821	0.61	1856	0.66	1889	0.70	1921	0.75	1951	0.80	1981	0.84
2310	2200	1950	0.72	1983	0.78	2015	0.83	2047	0.88	2077	0.93	2105	0.98	2133	1.04
2520	2400	2115	0.92	2146	0.98	2176	1.03	2205	1.09	2234	1.15	2262	1.21	2288	1.26
2730	2600	2281	1.15	2310	1.21	2338	1.27	2366	1.33	2393	1.39	2419	1.46	2445	1.52
2940	2800	2448	1.41	2475	1.48	2502	1.54	2527	1.61	2553	1.68	2578	1.74	2602	1.81
3150	3000	2616	1.72	2641	1.79	2666	1.86	2690	1.93	2714	2.00	2738	2.07	2761	2.14
3360	3200	2784	2.06	2807	2.14	2831	2.21	2854	2.29	2877	2.36	2899	2.44	2921	2.52
3570	3400	2952	2.46	2974	2.53	2996	2.61	3018	2.69	3040	2.77	3061	2.85	3082	2.93
3780	3600	3120	2.90	3142	2.98	3163	3.06	3183	3.15	3204	3.23	3224	3.32	3244	3.40

VOL CFM	OV FPM	2" SP		2½" SP		3" SP		3½" SP		4" SP		4½" SP		5" SP		5½" SP		6" SP		6½" SP	
		RPM	BHP	RPM	BHP	RPM	BHP	RPM	BHP	RPM	BHP	RPM	BHP	RPM	BHP	RPM	BHP	RPM	BHP	RPM	BHP
1155	1100	1721	0.56																		
1260	1200	1761	0.61	1912	0.76																
1365	1300	1806	0.67	1952	0.82																
1470	1400	1857	0.73	1992	0.89	2128	1.06														
1575	1500	1909	0.80	2043	0.97	2168	1.14	2293	1.33												
1680	1600	1962	0.87	2094	1.05	2215	1.23	2333	1.42	2449	1.62										
1785	1700	2023	0.95	2145	1.13	2266	1.32	2378	1.52	2489	1.72	2599	1.93	2702	2.15						
1890	1800	2084	1.04	2200	1.23	2317	1.42	2428	1.63	2533	1.83	2638	2.05	2742	2.27	2840	2.50				
1995	1900	2146	1.13	2261	1.33	2369	1.53	2479	1.74	2583	1.96	2681	2.18	2782	2.40	2880	2.64	2974	2.88		
2100	2000	2209	1.23	2322	1.44	2426	1.65	2531	1.86	2634	2.09	2731	2.31	2824	2.54	2920	2.78	3013	3.03	3103	3.28
2310	2200	2338	1.45	2447	1.67	2548	1.90	2644	2.13	2737	2.36	2833	2.61	2925	2.85	3013	3.10	3097	3.36	3183	3.62
2520	2400	2482	1.71	2574	1.94	2673	2.18	2766	2.43	2855	2.68	2939	2.93	3028	3.19	3114	3.46	3197	3.73	3278	4.00
2730	2600	2629	2.00	2713	2.25	2801	2.50	2891	2.77	2978	3.03	3060	3.30	3140	3.57	3218	3.85	3300	4.13	3379	4.42
2940	2800	2779	2.33	2859	2.59	2936	2.86	3019	3.14	3103	3.42	3184	3.70	3261	3.99	3336	4.28	3409	4.58	3483	4.88
3150	3000	2930	2.70	3008	2.98	3082	3.26	3153	3.55	3231	3.85	3309	4.15	3385	4.45	3459	4.76	3530	5.07	3598	5.38
3360	3200	3084	3.11	3158	3.41	3230	3.71	3298	4.01	3365	4.32	3437	4.63	3511	4.95	3583	5.27	3653	5.60	3720	5.93
3570	3400	3239	3.58	3310	3.89	3379	4.20	3446	4.52	3510	4.84	3572	5.17	3639	5.50	3710	5.84	3778	6.18	3844	6.52
3780	3600	3395	4.09	3464	4.41	3530	4.74	3595	5.08	3657	5.41	3717	5.76	3776	6.10	3838	6.45	3905	6.81	3969	7.17

VOL CFM	OV FPM	7" SP		8" SP		9" SP		10" SP		11" SP		12" SP		13" SP		14" SP		15" SP		16" SP	
		RPM	BHP	RPM	BHP	RPM	BHP	RPM	BHP	RPM	BHP	RPM	BHP	RPM	BHP	RPM	BHP	RPM	BHP	RPM	BHP
2520	2400	3355	4.28	3512	4.85	3666	5.44	3811	6.04												
2730	2600	3456	4.71	3602	5.30	3745	5.91	3890	6.55												
2940	2800	3558	5.18	3703	5.80	3840	6.44	3970	7.08	4028	7.19										
3150	3000	3665	5.70	3805	6.35	3941	7.01	4070	7.68	4107	7.76										
3360	3200	3786	6.26	3912	6.93	4043	7.62														
3570	3400	3908	6.87	4032	7.57																
3780	3600	4033	7.53																		

Underlined figures in columns approximate Max. Static Efficiency and Quietest Selection. CL. I CL. II
 The standard AMCA class range is shown by the shaded areas. Standard carbon steel fans may be used up to the Maximum Design RPM as listed above for each fan class.
 If the Maximum Safe Operating RPM is not shown, consult the factory.
 Performance shown is for Installation Type B - Free Inlet, Ducted Outlet.
 Power rating (BHP) does not include transmission losses. Performance ratings do not include the effects of appurtenances (accessories).
 All capacities listed above are based on standard Air Density of 0.075 Lbs./Cu. Ft. at 70°F & 0 Ft. elevation (1.2 kg/m³ at 21.1°C & 0 m).

Blowers and General Ventilation

SILENTVANE™

SIZE 3022 SINGLE WIDTH SINGLE INLET

MAXIMUM CLASS OPERATING RPM
FAN TEMPERATURE

Wheel Diameter	22.25 inches	565 mm
Wheel Circumference	5.83 feet	1.777 m
Inlet Diameter/Area	24.0 inches dia./3.14 sq. ft.	610 mm/.2917 m ²
Outlet Size/Area	23.29 x 17.48 inches I.D./2.83 sq. ft.	592 x 444 mm/.2629 m ²
Tip Speed	5.83 x RPM ft./minute	1.777 x RPM m/minute
Maximum BHP	1.31 x (RPM ÷ 1000) ³ BHP	.9769 x (RPM ÷ 1000) ³ kW

SIZE 3022	-20° to 300°F -29° to 149°C
CLASS I	1853
CLASS II	2418

Blowers and General Ventilation

VOL CFM	OV FPM	¼" SP		⅜" SP		½" SP		⅝" SP		¾" SP		1" SP		1 ¼" SP		1 ½" SP		1 ¾" SP	
		RPM	BHP	RPM	BHP	RPM	BHP	RPM	BHP	RPM	BHP	RPM	BHP	RPM	BHP	RPM	BHP	RPM	BHP
2264	800	497	0.16	541	0.21	582	0.26	621	0.31	660	0.37	699	0.43	<u>737</u>	<u>0.50</u>				
2547	900	538	0.20	579	0.25	615	0.31	650	0.36	687	0.43	723	0.49	757	0.56				
2830	1000	581	0.25	618	0.31	652	0.36	686	0.43	719	0.49	751	0.56	782	0.63	845	0.77		
3113	1100	624	0.30	659	0.37	691	0.43	723	0.50	753	0.56	783	0.63	813	0.71	870	0.86	926	1.02
3396	1200	667	0.36	701	0.43	731	0.50	762	0.58	790	0.65	818	0.72	845	0.80	899	0.96	951	1.12
3679	1300	712	0.43	743	0.51	772	0.59	801	0.66	829	0.74	855	0.82	881	0.90	932	1.07	980	1.24
3962	1400	757	0.52	788	0.60	815	0.68	842	0.76	867	0.84	893	0.93	918	1.02	965	1.19	1012	1.37
4245	1500	802	0.61	831	0.70	858	0.79	884	0.88	909	0.96	932	1.05	957	1.15	1002	1.33	1047	1.52
4528	1600	849	0.71	876	0.81	901	0.90	926	1.00	950	1.09	973	1.18	996	1.28	1039	1.47	1081	1.67
4811	1700	895	0.83	921	0.93	946	1.03	970	1.13	992	1.23	1014	1.33	1036	1.43	1078	1.63	1119	1.84
5094	1800	941	0.96	966	1.06	990	1.17	1013	1.28	1035	1.38	1056	1.49	1077	1.59	1118	1.81	1157	2.03
5377	1900	989	1.10	1013	1.22	1036	1.33	1057	1.44	1078	1.55	1099	1.66	1119	1.77	1158	2.00	1196	2.23
5660	2000	1036	1.26	1058	1.38	1080	1.50	1102	1.62	1122	1.73	1142	1.85	1161	1.97	1199	2.20	1235	2.44
6226	2200	1130	1.62	1152	1.76	1172	1.89	1192	2.02	1211	2.15	1230	2.28	1248	2.40	1284	2.67	1317	2.92
6792	2400	1225	2.05	1246	2.20	1264	2.34	1283	2.48	1301	2.62	1318	2.76	1336	2.91	1369	3.19	1402	3.47
7358	2600	1322	2.56	1340	2.71	1357	2.86	1375	3.02	1392	3.18	1408	3.32	1425	3.48	1457	3.79	1487	4.09
7924	2800	1417	3.13	1434	3.30	1452	3.48	1468	3.64	1484	3.81	1500	3.98	1516	4.15	1546	4.48	1575	4.80
8490	3000	1513	3.80	1530	3.98	1546	4.17	1562	4.35	1577	4.53	1591	4.70	1607	4.89	1635	5.23	1663	5.59
9056	3200	1611	4.57	1626	4.76	1641	4.95	1655	5.14	1671	5.34	1685	5.53	1699	5.72	1726	6.10	1753	6.48
9622	3400	1707	5.42	1721	5.62	1737	5.84	1751	6.05	1764	6.24	1778	6.45	1791	6.65	1818	7.06	1843	7.46
10188	3600	1805	6.39	1818	6.60	1832	6.82	1845	7.03	1859	7.26	1872	7.48	1884	7.68	1910	8.13	1934	8.55
10754	3800	1901	7.44	1915	7.69	1928	7.92	1940	8.14	1953	8.37	1966	8.61	1978	8.84	2002	9.29	2026	9.75
11320	4000	1999	8.64	2012	8.89	2024	9.13	2037	9.39	2049	9.63	2061	9.87	2072	10.10	2095	10.60	2118	11.10
11886	4200	2096	9.94	2108	10.20	2120	10.50	2132	10.70	2144	11.00	2156	11.20	2167	11.50	2189	12.00	2211	12.50
12452	4400	2194	11.40	2206	11.70	2217	11.90	2228	12.20	2239	12.50	2251	12.70	2262	13.00	2283	13.50	2304	14.10
13018	4600	2291	12.90	2303	13.20	2314	13.50	2325	13.80	2336	14.10	2346	14.40	2356	14.60	2377	15.20	2397	15.70
13584	4800	2390	14.70	2401	15.00	2410	15.20											2418	16.30

VOL CFM	OV FPM	2" SP		2 ½" SP		3" SP		3 ½" SP		4" SP		4 ½" SP		5" SP		5 ½" SP		6" SP		6 ½" SP	
		RPM	BHP	RPM	BHP	RPM	BHP	RPM	BHP	RPM	BHP	RPM	BHP	RPM	BHP	RPM	BHP	RPM	BHP	RPM	BHP
3679	1300	<u>1077</u>	<u>1.61</u>																		
3962	1400	1103	1.75																		
4245	1500	1132	1.91	1192	2.16																
4528	1600	1164	2.08	1216	2.33	1298	2.78														
4811	1700	1197	2.27	1273	2.72	1347	3.19	1419	3.67												
5094	1800	1232	2.47	1304	2.93	1375	3.41	1445	3.92	1515	4.46										
5377	1900	1268	2.69	1338	3.17	1406	3.67	1472	4.18	1538	4.72	1603	5.28								
5660	2000	1305	2.92	1373	3.42	1439	3.94	1503	4.47	1565	5.01	1628	5.59	1690	6.18						
6226	2200	1383	3.44	1446	3.98	1507	4.52	1567	5.09	1625	5.66	1684	6.27	1740	6.87	1797	7.51	1854	8.17	1910	8.84
6792	2400	1464	4.04	1523	4.61	1581	5.20	1637	5.80	1691	6.40	1745	7.02	1798	7.65	1851	8.31	1903	8.98	1955	9.67
7358	2600	1546	4.70	1602	5.32	1658	5.96	1711	6.59	1762	7.22	1812	7.87	1863	8.55	1912	9.22	1962	9.94	2010	10.60
7924	2800	1630	5.45	1685	6.12	1737	6.79	1786	7.45	1836	8.14	1884	8.83	1932	9.54	1978	10.20	2025	11.00	2070	11.70
8490	3000	1717	6.30	1768	7.00	1818	7.72	1866	8.43	1913	9.15	1959	9.88	2004	10.60	2049	11.40	2093	12.10	2136	12.90
9056	3200	1804	7.23	1853	7.98	1900	8.72	1947	9.49	1992	10.30	2036	11.00	2079	11.80	2122	12.60	2163	13.40	2206	14.20
9622	3400	1892	8.26	1939	9.05	1985	9.86	2029	10.70	2072	11.50	2115	12.30	2157	13.10	2198	13.90	2238	14.70	2277	15.60
10188	3600	1981	9.39	2027	10.20	2070	11.10	2114	11.90	2155	12.80	2196	13.60	2236	14.50	2275	15.40	2314	16.20	2352	17.10
10754	3800	2071	10.60	2115	11.50	2158	12.40	2199	13.30	2239	14.20	2278	15.10	2317	16.00	2355	16.90	2392	17.80		
11320	4000	2162	12.00	2204	12.90	2245	13.90	2285	14.80	2324	15.80	2362	16.70	2400	17.70						
11886	4200	2253	13.50	2293	14.50	2334	15.50	2372	16.50	2409	17.40										
12452	4400	2344	15.10	2384	16.10																

VOL CFM	OV FPM	7" SP		8" SP		9" SP		10" SP		11" SP		12" SP		13" SP		14" SP		15" SP		16" SP	
		RPM	BHP	RPM	BHP	RPM	BHP	RPM	BHP	RPM	BHP	RPM	BHP	RPM	BHP	RPM	BHP	RPM	BHP	RPM	BHP
6792	2400	<u>2007</u>	<u>10.40</u>																		
7358	2600	2058	11.40	<u>2155</u>	<u>12.90</u>	<u>2250</u>	<u>14.50</u>														
7924	2800	2116	12.50	2206	14.00	2296	15.60	<u>2384</u>	<u>17.30</u>												
8490	3000	2180	13.70	2264	15.30	2349	16.90														
9056	3200	2247	15.00	2327	16.60	2407	18.40														
9622	3400	2317	16.40	2394	18.10																
10188	3600	2390	18.00																		

Underlined figures in columns approximate Max. Static Efficiency and Quietest Selection. CL I □ CL II □
 The standard AMCA class range is shown by the shaded areas. Standard carbon steel fans may be used up to the Maximum Design RPM as listed above for each fan

MAXIMUM CLASS OPERATING RPM
FAN TEMPERATURE

SINGLE WIDTH
SINGLE INLET

SIZE 3024

SIZE 3024	-20° to 300°F -29° to 149°C
CLASS I	1599
CLASS II	2086

Wheel Diameter	24.50 inches	622 mm
Wheel Circumference	6.41 feet	1.954 m
Inlet Diameter/Area	27.0 inches dia./3.98 sq. ft.	686 mm/.3697 m ²
Outlet Size/Area	25.60 x 19.35 inches I.D./3.44 sq. ft.	650 x 491 mm/.3196 m ²
Tip Speed	6.41 x RPM ft./minute	1.954 x RPM m/minute
Maximum BHP	2.31 x (RPM ÷ 1000) ³ BHP	1.723 x (RPM ÷ 1000) ³ kW

VOL CFM	OV FPM	¼" SP		⅜" SP		½" SP		⅝" SP		¾" SP		7/8" SP		1" SP		1¼" SP		1½" SP		1¾" SP	
		RPM	BHP	RPM	BHP	RPM	BHP	RPM	BHP	RPM	BHP	RPM	BHP	RPM	BHP	RPM	BHP	RPM	BHP	RPM	BHP
2768	800	432	0.19	472	0.24	511	0.31	548	0.37	584	0.44	620	0.51	653	0.58						
3114	900	465	0.23	503	0.29	539	0.36	572	0.43	606	0.50	639	0.58	671	0.66						
3460	1000	501	0.28	535	0.35	568	0.42	600	0.50	631	0.58	661	0.66	691	0.74	748	0.91				
3806	1100	538	0.34	569	0.42	600	0.50	630	0.58	658	0.66	687	0.75	715	0.84	769	1.02	821	1.21		
4152	1200	574	0.41	604	0.49	634	0.58	661	0.67	688	0.75	715	0.85	741	0.94	792	1.13	841	1.33	889	1.54
4498	1300	613	0.49	641	0.58	668	0.67	693	0.76	720	0.86	744	0.95	769	1.05	818	1.26	864	1.47	910	1.69
4844	1400	652	0.59	678	0.68	703	0.78	729	0.88	752	0.98	776	1.08	799	1.18	844	1.39	889	1.61	933	1.85
5190	1500	691	0.69	716	0.80	740	0.90	762	1.00	786	1.11	809	1.22	831	1.32	874	1.55	916	1.78	957	2.01
5536	1600	731	0.81	754	0.92	777	1.03	799	1.14	821	1.25	841	1.36	863	1.48	905	1.72	944	1.95	984	2.20
5882	1700	771	0.95	792	1.06	815	1.18	836	1.29	856	1.41	877	1.53	897	1.65	937	1.90	974	2.14	1012	2.40
6228	1800	811	1.09	832	1.21	852	1.33	873	1.46	893	1.58	912	1.71	931	1.83	969	2.09	1006	2.35	1041	2.61
6574	1900	851	1.26	871	1.38	891	1.51	911	1.64	930	1.77	948	1.90	966	2.03	1003	2.30	1038	2.58	1072	2.85
6920	2000	892	1.44	911	1.57	930	1.70	948	1.84	966	1.97	985	2.12	1002	2.25	1037	2.53	1071	2.82	1104	3.11
7612	2200	974	1.86	992	2.01	1009	2.15	1026	2.30	1042	2.44	1059	2.59	1075	2.74	1108	3.05	1138	3.34	1170	3.67
8304	2400	1056	2.35	1072	2.50	1089	2.67	1104	2.82	1120	2.99	1136	3.16	1150	3.31	1180	3.63	1210	3.97	1238	4.30
8996	2600	1139	2.93	1154	3.10	1169	3.27	1184	3.45	1198	3.61	1213	3.79	1227	3.97	1255	4.32	1282	4.67	1310	5.04
9688	2800	1223	3.61	1237	3.79	1250	3.97	1264	4.15	1277	4.33	1291	4.53	1305	4.72	1331	5.09	1356	5.46	1382	5.85
10380	3000	1306	4.38	1319	4.57	1332	4.76	1344	4.95	1357	5.15	1370	5.36	1383	5.56	1408	5.97	1433	6.38	1456	6.77
11072	3200	1390	5.26	1402	5.46	1414	5.67	1427	5.89	1438	6.09	1450	6.30	1462	6.51	1486	6.95	1509	7.37	1532	7.81
11764	3400	1473	6.24	1485	6.46	1497	6.69	1508	6.91	1520	7.14	1531	7.36	1542	7.58	1564	8.03	1586	8.48	1608	8.95
12456	3600	1557	7.35	1568	7.58	1580	7.84	1590	8.05	1601	8.29	1612	8.53	1623	8.78	1643	9.23	1665	9.74	1685	10.20
13148	3800	1641	8.58	1652	8.84	1662	9.08	1673	9.34	1683	9.58	1694	9.85	1704	10.10	1724	10.60	1743	11.10	1763	11.60
13840	4000	1726	10.00	1736	10.20	1746	10.50	1756	10.80	1765	11.00	1775	11.30	1785	11.50	1804	12.10	1823	12.60	1842	13.10
14532	4200	1811	11.50	1820	11.80	1830	12.00	1838	12.30	1848	12.60	1857	12.80	1867	13.10	1885	13.70	1904	14.30	1922	14.80
15224	4400	1895	13.20	1904	13.40	1913	13.70	1922	14.00	1931	14.30	1940	14.60	1948	14.90	1966	15.40	1984	16.00	2001	16.60
15916	4600	1980	15.00	1988	15.30	1997	15.60	2006	15.90	2014	16.20	2023	16.50	2031	16.80	2048	17.40	2065	18.00	2081	18.60
16608	4800	2064	17.00	2072	17.30	2081	17.60														

VOL CFM	OV FPM	2" SP		2½" SP		3" SP		3½" SP		4" SP		4½" SP		5" SP		5½" SP		6" SP		6½" SP	
		RPM	BHP	RPM	BHP	RPM	BHP	RPM	BHP	RPM	BHP	RPM	BHP	RPM	BHP	RPM	BHP	RPM	BHP	RPM	BHP
4498	1300	954	1.91																		
4844	1400	974	2.07	1056	2.56																
5190	1500	997	2.25	1076	2.76	1151	3.29														
5536	1600	1023	2.46	1097	2.98	1170	3.53														
5882	1700	1049	2.66	1121	3.21	1190	3.77	1258	4.36												
6228	1800	1077	2.89	1145	3.45	1213	4.04	1278	4.65	1342	5.28										
6574	1900	1107	3.14	1172	3.72	1237	4.33	1300	4.96	1361	5.60	1422	6.27								
6920	2000	1137	3.40	1201	4.01	1262	4.62	1324	5.28	1383	5.95	1440	6.62	1498	7.33						
7612	2200	1201	3.99	1260	4.63	1318	5.30	1374	5.98	1430	6.69	1484	7.40	1538	8.15	1591	8.91	1642	9.67	1694	10.50
8304	2400	1267	4.65	1323	5.34	1377	6.05	1431	6.79	1482	7.51	1534	8.29	1584	9.06	1633	9.84	1683	10.70	1732	11.50
8996	2600	1336	5.40	1389	6.14	1439	6.88	1490	7.66	1539	8.44	1588	9.26	1635	10.10	1682	10.90	1729	11.80	1774	12.60
9688	2800	1408	6.25	1457	7.03	1505	7.82	1552	8.63	1599	9.47	1645	10.30	1690	11.20	1734	12.00	1779	12.90	1822	13.80
10380	3000	1480	7.19	1527	8.02	1573	8.87	1618	9.73	1662	10.60	1706	11.50	1748	12.40	1791	13.30	1832	14.20	1874	15.20
11072	3200	1554	8.24	1599	9.13	1642	10.00	1685	10.90	1728	11.90	1769	12.80	1810	13.70	1850	14.70	1890	15.60	1930	16.60
11764	3400	1630	9.42	1672	10.30	1714	11.30	1754	12.20	1795	13.20	1834	14.20	1873	15.20	1912	16.20	1950	17.20	1988	18.20
12456	3600	1706	10.70	1746	11.70	1786	12.70	1825	13.70	1863	14.70	1901	15.70	1938	16.70	1976	17.80	2012	18.80	2048	19.90
13148	3800	1783	12.10	1822	13.20	1859	14.20	1897	15.20	1933	16.30	1970	17.40	2006	18.40	2041	19.50	2077	20.60		
13840	4000	1861	13.70	1898	14.70	1934	15.80	1970	16.90	2006	18.10	2040	19.10	2075	20.30						
14532	4200	1939	15.40	1975	16.50	2010	17.60	2044	18.80	2078	19.90										
15224	4400	2019	17.20	2052	18.40	2086	19.60														

VOL CFM	OV FPM	7" SP		8" SP		9" SP		10" SP		11" SP		12" SP		13" SP		14" SP		15" SP		16" SP	
		RPM	BHP	RPM	BHP	RPM	BHP	RPM	BHP	RPM	BHP	RPM	BHP	RPM	BHP	RPM	BHP	RPM	BHP	RPM	BHP
8304	2400	1779	12.30																		
8996	2600	1820	13.50	1909	15.30	1996	17.20														
9688	2800	1865	14.70	1949	16.60	2032	18.50														
10380	3000	1915	16.10	1996	18.10	2074	20.10														
11072	3200	1968	17.60	2045	19.60																
11764	3400	2025	19.20																		
12456	3600	2084	21.00																		

Underlined figures in columns approximate Max. Static Efficiency and Quietest Selection. CL. I □ CL. II □
 The standard AMCA class range is shown by the shaded areas. Standard carbon steel fans may be used up to the Maximum Design RPM as listed above for each fan class.
 If the Maximum Safe Operating RPM is not shown, consult the factory.
Performance shown is for Installation Type B - Free Inlet, Ducted Outlet.
 Power rating (BHP) does not include transmission losses. Performance ratings do not include the effects of appurtenances (accessories).
 All capacities listed above are based on standard Air Density of 0.075 Lbs./Cu. Ft. at 70°F & 0 Ft. elevation (1.2 kg/m³ at 21.1°C & 0 m).

Blowers and General Ventilation

SILENTVANE™



SIZE 3027 SINGLE WIDTH SINGLE INLET

MAXIMUM CLASS OPERATING RPM
FAN TEMPERATURE

Wheel Diameter	27.00 inches	686 mm
Wheel Circumference	7.07 feet	2.155 m
Inlet Diameter/Area	29.5 inches dia./4.75 sq. ft.	749 mm/4413 m ²
Outlet Size/Area	28.29 x 21.35 inches I.D./4.20 sq. ft.	719 x 542 mm/3902 m ²
Tip Speed	7.07 x RPM ft./minute	2.155 x RPM m/minute
Maximum BHP	3.76 x (RPM ÷ 1000) ³ BHP	2.804 x (RPM ÷ 1000) ³ kW

SIZE 3027	-20° to 300°F -29° to 149°C
CLASS I	1450
CLASS II	1892

VOL CFM	OV FPM	¼" SP		⅜" SP		½" SP		¾" SP		1" SP		1 ¼" SP		1 ½" SP		1 ¾" SP					
		RPM	BHP	RPM	BHP	RPM	BHP	RPM	BHP	RPM	BHP	RPM	BHP	RPM	BHP	RPM	BHP				
3360	800	392	0.22	427	0.29	463	0.37	498	0.45	530	0.53	561	0.62								
3780	900	422	0.28	454	0.35	489	0.44	520	0.52	550	0.61	578	0.70								
4200	1000	454	0.34	486	0.43	515	0.51	543	0.60	572	0.70	600	0.80	679	1.11						
4620	1100	488	0.42	516	0.51	543	0.60	571	0.70	596	0.80	623	0.91	649	1.02	745	1.47				
5040	1200	522	0.50	548	0.60	575	0.71	600	0.81	623	0.91	649	1.03	672	1.14	718	1.37	763	1.62	807	1.87
5460	1300	556	0.60	581	0.71	605	0.81	629	0.93	653	1.05	676	1.16	698	1.28	741	1.52	783	1.77	825	2.04
5880	1400	591	0.71	614	0.82	638	0.95	660	1.06	683	1.19	703	1.30	725	1.43	765	1.68	806	1.96	845	2.23
6300	1500	627	0.84	650	0.97	671	1.09	692	1.21	712	1.34	733	1.47	754	1.61	792	1.87	831	2.16	869	2.45
6720	1600	663	0.99	684	1.12	705	1.25	724	1.38	745	1.52	764	1.65	783	1.79	821	2.08	857	2.37	893	2.67
7140	1700	699	1.15	719	1.28	739	1.43	758	1.57	777	1.71	796	1.86	813	1.99	849	2.29	884	2.60	918	2.91
7560	1800	735	1.32	755	1.48	773	1.62	792	1.77	810	1.92	828	2.08	845	2.22	879	2.54	912	2.85	945	3.18
7980	1900	773	1.53	790	1.68	808	1.83	826	1.99	843	2.15	860	2.31	877	2.47	910	2.80	942	3.13	973	3.46
8400	2000	809	1.75	827	1.91	844	2.07	861	2.24	877	2.40	894	2.57	910	2.74	941	3.08	972	3.42	1001	3.76
9240	2200	884	2.26	899	2.42	915	2.60	930	2.78	946	2.97	960	3.14	975	3.32	1005	3.70	1033	4.07	1062	4.46
10080	2400	959	2.86	973	3.04	987	3.23	1001	3.42	1015	3.61	1030	3.82	1044	4.02	1071	4.42	1097	4.81	1124	5.23
10920	2600	1033	3.55	1047	3.76	1060	3.96	1073	4.17	1087	4.39	1100	4.60	1112	4.80	1138	5.24	1163	5.67	1188	6.11
11760	2800	1109	4.37	1121	4.59	1134	4.81	1146	5.03	1159	5.27	1171	5.49	1183	5.71	1207	6.17	1231	6.65	1254	7.11
12600	3000	1185	5.31	1196	5.54	1208	5.78	1220	6.03	1232	6.27	1243	6.51	1254	6.74	1277	7.24	1299	7.73	1321	8.22
13440	3200	1260	6.36	1272	6.63	1282	6.87	1294	7.14	1305	7.40	1315	7.64	1326	7.90	1347	8.41	1369	8.95	1389	9.46
14280	3400	1337	7.59	1347	7.84	1357	8.10	1368	8.38	1379	8.67	1388	8.91	1399	9.21	1419	9.75	1439	10.30	1459	10.90
15120	3600	1412	8.91	1422	9.19	1433	9.50	1443	9.79	1452	10.10	1462	10.40	1472	10.60	1491	11.20	1510	11.80	1529	12.40
15960	3800	1489	10.40	1499	10.70	1508	11.00	1517	11.30	1526	11.60	1536	11.90	1545	12.20	1564	12.90	1582	13.50	1599	14.10
16800	4000	1566	12.10	1574	12.40	1583	12.70	1592	13.00	1601	13.40	1610	13.70	1619	14.00	1637	14.70	1654	15.30	1671	15.90
17640	4200	1642	13.90	1651	14.30	1659	14.60	1668	14.90	1676	15.30	1685	15.60	1693	15.90	1710	16.60	1727	17.30	1743	18.00
18480	4400	1719	16.00	1727	16.30	1735	16.70	1743	17.00	1752	17.40	1760	17.70	1768	18.10	1784	18.80	1799	19.40	1815	20.20
19320	4600	1795	18.20	1803	18.50	1811	18.90	1819	19.30	1826	19.60	1834	20.00	1842	20.30	1857	21.10	1873	21.80	1888	22.60
20160	4800	1872	20.60	1880	21.00	1887	21.30														

VOL CFM	OV FPM	2" SP		2 ½" SP		3" SP		3 ½" SP		4" SP		4 ½" SP		5" SP		5 ½"		6" SP		6 ½" SP	
		RPM	BHP	RPM	BHP	RPM	BHP	RPM	BHP	RPM	BHP	RPM	BHP	RPM	BHP	RPM	BHP	RPM	BHP	RPM	BHP
5460	1300	865 2.31																			
5880	1400	884 2.52		959 3.12		1045 4.00															
6300	1500	905 2.74		976 3.35		1062 4.29															
6720	1600	927 2.97		995 3.61																	
7140	1700	951 3.23		1016 3.89		1080 4.58		1142 5.30													
7560	1800	977 3.51		1040 4.20		1100 4.90		1160 5.65		1218 6.42											
7980	1900	1004 3.81		1064 4.52		1122 5.25		1179 6.01		1235 6.80		1290 7.61									
8400	2000	1032 4.14		1089 4.86		1145 5.61		1201 6.41		1254 7.21		1307 8.04		1359 8.90							
9240	2200	1089 4.84		1143 5.62		1195 6.42		1247 7.26		1298 8.13		1347 9.00		1396 9.90		1444 10.80		1491 11.80		1537 12.70	
10080	2400	1150 5.65		1200 6.48		1250 7.35		1298 8.23		1345 9.13		1391 10.00		1437 11.00		1482 12.00		1526 12.90		1571 14.00	
10920	2600	1212 6.55		1259 7.43		1307 8.38		1352 9.31		1396 10.20		1440 11.20		1484 12.20		1526 13.20		1568 14.20		1610 15.30	
11760	2800	1276 7.56		1322 8.54		1365 9.49		1409 10.50		1451 11.50		1493 12.50		1533 13.60		1574 14.60		1614 15.70		1653 16.80	
12600	3000	1343 8.73		1385 9.73		1427 10.80		1468 11.80		1508 12.90		1548 14.00		1586 15.00		1624 16.10		1663 17.30		1700 18.40	
13440	3200	1410 10.00		1450 11.10		1490 12.20		1529 13.30		1567 14.40		1605 15.50		1642 16.70		1679 17.80		1714 19.00		1751 20.20	
14280	3400	1478 11.40		1517 12.60		1554 13.70		1591 14.80		1628 16.00		1663 17.20		1699 18.40		1735 19.60		1769 20.80		1803 22.10	
15120	3600	1548 13.00		1584 14.20		1620 15.40		1655 16.60		1690 17.80		1725 19.10		1759 20.30		1792 21.60		1825 22.80		1858 24.10	
15960	3800	1617 14.70		1652 15.90		1687 17.20		1720 18.50		1754 19.80		1787 21.10		1820 22.40		1852 23.70		1884 25.00			
16800	4000	1687 16.60		1721 17.90		1754 19.20		1787 20.50		1819 21.90		1850 23.20		1882 24.60							
17640	4200	1759 18.60		1791 20.00		1823 21.40		1854 22.80		1885 24.20											
18480	4400	1831 20.90		1862 22.30		1892 23.70															

VOL CFM	OV FPM	7" SP		8" SP		9" SP		10" SP		11" SP		12" SP		13" SP		14" SP		15" SP		16" SP	
		RPM	BHP	RPM	BHP	RPM	BHP	RPM	BHP	RPM	BHP	RPM	BHP	RPM	BHP	RPM	BHP	RPM	BHP	RPM	BHP
10080	2400	1614 15.00																			
10920	2600	1651 16.40		1731 18.50		1811 20.80															
11760	2800	1692 17.90		1768 20.10		1844 22.50															
12600	3000	1737 19.60		1810 21.90		1882 24.40															
13440	3200	1785 21.40		1856 23.90																	
14280	3400	1837 23.30																			
15120	3600	1890 25.40																			

Underlined figures in columns approximate Max. Static Efficiency and Quietest Selection. CL. I □ CL. II □
 The standard AMCA class range is shown by the shaded areas. Standard carbon steel fans may be used up to the Maximum Design RPM as listed above for each fan class.
 If the Maximum Safe Operating RPM is not shown, consult the factory.
Performance shown is for installation Type B - Free Inlet, Ducted Outlet.
Power rating (BHP) does not include transmission losses. Performance ratings do not include the effects of appurtenances (accessories).
All capacities listed above are based on standard Air Density of 0.075 Lbs./Cu. Ft. at 70°F & 0 Ft. elevation (1.2 kg/m³ at 21.1°C & 0 m).

Blowers and General Ventilation

SIZE 3033

SINGLE WIDTH
SINGLE INLET

MAXIMUM CLASS OPERATING RPM
FAN TEMPERATURE

Wheel Diameter	33.00 inches	838 mm
Wheel Circumference	8.64 feet	2.633 m
Inlet Diameter/Area	35.5 inches dia./6.87 sq. ft.	902 mm/6382 m ²
Outlet Size/Area	34.60 x 26.10 inches I.D./6.27 sq. ft.	879 x 663 mm/5825 m ²
Tip Speed	8.64 x RPM ft./minute	2.633 RPM m/minute
Maximum BHP	10.58 x (RPM + 1000) ³ BHP	7.890 x (RPM + 1000) ³ kW

SIZE 3033	-20° to 300°F -29° to 149°C
CLASS I	1163
CLASS II	1517

VOL CFM	OV FPM	¼" SP		⅜" SP		½" SP		⅝" SP		¾" SP		1" SP		1¼" SP		1½" SP		1¾" SP																																																																																																																																																																																																																																																																																																																																																																																																																																																																																																																																																																																																																																																																																																																																																																																																																																																																																																																																																																																																																																																																																															
		RPM	BHP	RPM	BHP	RPM	BHP	RPM	BHP	RPM	BHP	RPM	BHP	RPM	BHP	RPM	BHP	RPM	BHP	RPM	BHP																																																																																																																																																																																																																																																																																																																																																																																																																																																																																																																																																																																																																																																																																																																																																																																																																																																																																																																																																																																																																																																																																												
5008	800	314	0.33	344	0.43	373	0.54	400	0.64	428	0.76	454	0.88	479	1.00	500	1.12	525	1.25	550	1.38	575	1.51	600	1.64	625	1.77	650	1.90	675	2.03	700	2.16	725	2.29	750	2.42	775	2.55	800	2.68	825	2.81	850	2.94	875	3.07	900	3.20	925	3.33	950	3.46	975	3.59	1000	3.72	1025	3.85	1050	3.98	1075	4.11	1100	4.24	1125	4.37	1150	4.50	1175	4.63	1200	4.76	1225	4.89	1250	5.02	1275	5.15	1300	5.28	1325	5.41	1350	5.54	1375	5.67	1400	5.80	1425	5.93	1450	6.06	1475	6.19	1500	6.32	1525	6.45	1550	6.58	1575	6.71	1600	6.84	1625	6.97	1650	7.10	1675	7.23	1700	7.36	1725	7.49	1750	7.62	1775	7.75	1800	7.88	1825	8.01	1850	8.14	1875	8.27	1900	8.40	1925	8.53	1950	8.66	1975	8.79	2000	8.92	2025	9.05	2050	9.18	2075	9.31	2100	9.44	2125	9.57	2150	9.70	2175	9.83	2200	9.96	2225	10.09	2250	10.22	2275	10.35	2300	10.48	2325	10.61	2350	10.74	2375	10.87	2400	11.00	2425	11.13	2450	11.26	2475	11.39	2500	11.52	2525	11.65	2550	11.78	2575	11.91	2600	12.04	2625	12.17	2650	12.30	2675	12.43	2700	12.56	2725	12.69	2750	12.82	2775	12.95	2800	13.08	2825	13.21	2850	13.34	2875	13.47	2900	13.60	2925	13.73	2950	13.86	2975	13.99	3000	14.12	3025	14.25	3050	14.38	3075	14.51	3100	14.64	3125	14.77	3150	14.90	3175	15.03	3200	15.16	3225	15.29	3250	15.42	3275	15.55	3300	15.68	3325	15.81	3350	15.94	3375	16.07	3400	16.20	3425	16.33	3450	16.46	3475	16.59	3500	16.72	3525	16.85	3550	16.98	3575	17.11	3600	17.24	3625	17.37	3650	17.50	3675	17.63	3700	17.76	3725	17.89	3750	18.02	3775	18.15	3800	18.28	3825	18.41	3850	18.54	3875	18.67	3900	18.80	3925	18.93	3950	19.06	3975	19.19	4000	19.32	4025	19.45	4050	19.58	4075	19.71	4100	19.84	4125	19.97	4150	20.10	4175	20.23	4200	20.36	4225	20.49	4250	20.62	4275	20.75	4300	20.88	4325	21.01	4350	21.14	4375	21.27	4400	21.40	4425	21.53	4450	21.66	4475	21.79	4500	21.92	4525	22.05	4550	22.18	4575	22.31	4600	22.44	4625	22.57	4650	22.70	4675	22.83	4700	22.96	4725	23.09	4750	23.22	4775	23.35	4800	23.48	4825	23.61	4850	23.74	4875	23.87	4900	24.00	4925	24.13	4950	24.26	4975	24.39	5000	24.52	5025	24.65	5050	24.78	5075	24.91	5100	25.04	5125	25.17	5150	25.30	5175	25.43	5200	25.56	5225	25.69	5250	25.82	5275	25.95	5300	26.08	5325	26.21	5350	26.34	5375	26.47	5400	26.60	5425	26.73	5450	26.86	5475	26.99	5500	27.12	5525	27.25	5550	27.38	5575	27.51	5600	27.64	5625	27.77	5650	27.90	5675	28.03	5700	28.16	5725	28.29	5750	28.42	5775	28.55	5800	28.68	5825	28.81	5850	28.94	5875	29.07	5900	29.20	5925	29.33	5950	29.46	5975	29.59	6000	29.72	6025	29.85	6050	29.98	6075	30.11	6100	30.24	6125	30.37	6150	30.50	6175	30.63	6200	30.76	6225	30.89	6250	31.02	6275	31.15	6300	31.28	6325	31.41	6350	31.54	6375	31.67	6400	31.80	6425	31.93	6450	32.06	6475	32.19	6500	32.32	6525	32.45	6550	32.58	6575	32.71	6600	32.84	6625	32.97	6650	33.10	6675	33.23	6700	33.36	6725	33.49	6750	33.62	6775	33.75	6800	33.88	6825	34.01	6850	34.14	6875	34.27	6900	34.40	6925	34.53	6950	34.66	6975	34.79	7000	34.92	7025	35.05	7050	35.18	7075	35.31	7100	35.44	7125	35.57	7150	35.70	7175	35.83	7200	35.96	7225	36.09	7250	36.22	7275	36.35	7300	36.48	7325	36.61	7350	36.74	7375	36.87	7400	37.00	7425	37.13	7450	37.26	7475	37.39	7500	37.52	7525	37.65	7550	37.78	7575	37.91	7600	38.04	7625	38.17	7650	38.30	7675	38.43	7700	38.56	7725	38.69	7750	38.82	7775	38.95	7800	39.08	7825	39.21	7850	39.34	7875	39.47	7900	39.60	7925	39.73	7950	39.86	7975	39.99	8000	40.12	8025	40.25	8050	40.38	8075	40.51	8100	40.64	8125	40.77	8150	40.90	8175	41.03	8200	41.16	8225	41.29	8250	41.42	8275	41.55	8300	41.68	8325	41.81	8350	41.94	8375	42.07	8400	42.20	8425	42.33	8450	42.46	8475	42.59	8500	42.72	8525	42.85	8550	42.98	8575	43.11	8600	43.24	8625	43.37	8650	43.50	8675	43.63	8700	43.76	8725	43.89	8750	44.02	8775	44.15	8800	44.28	8825	44.41	8850	44.54	8875	44.67	8900	44.80	8925	44.93	8950	45.06	8975	45.19	9000	45.32	9025	45.45	9050	45.58	9075	45.71	9100	45.84	9125	45.97	9150	46.10	9175	46.23	9200	46.36	9225	46.49	9250	46.62	9275	46.75	9300	46.88	9325	47.01	9350	47.14	9375	47.27	9400	47.40	9425	47.53	9450	47.66	9475	47.79	9500	47.92	9525	48.05	9550	48.18	9575	48.31	9600	48.44	9625	48.57	9650	48.70	9675	48.83	9700	48.96	9725	49.09	9750	49.22	9775	49.35	9800	49.48	9825	49.61	9850	49.74	9875	49.87	9900	50.00	9925	50.13	9950	50.26	9975	50.39	10000	50.52	10025	50.65	10050	50.78	10075	50.91	10100	51.04	10125	51.17	10150	51.30	10175	51.43	10200	51.56	10225	51.69	10250	51.82	10275	51.95	10300	52.08	10325	52.21	10350	52.34	10375	52.47	10400	52.60	10425	52.73	10450	52.86	10475	52.99	10500	53.12	10525	53.25	10550	53.38	10575	53.51	10600	53.64	10625	53.77	10650	53.90	10675	54.03	10700	54.16	10725	54.29	10750	54.42	10775	54.55	10800	54.68	10825	54.81	10850	54.94	10875	55.07	10900	55.20	10925	55.33	10950	55.46	10975	55.59	11000	55.72	11025	55.85	11050	55.98	11075	56.11	11100	56.24	11125	56.37	11150	56.50	11175	56.63	11200	56.76	11225	56.89	11250	57.02	11275	57.15	11300	57.28	11325	57.41	11350	57.54	11375	57.67	11400	57.80	11425	57.93	11450	58.06	11475	58.19	11500	58.32	11525	58.45	11550	58.58	11575	58.71	11600	58.84	11625	58.97	11650	59.10	11675	59.23	11700	59.36	11725	59.49	11750	59.62	11775	59.75	11800	59.88	11825	60.01	11850	60.14	11875	60.27	11900	60.40	11925	60.53	11950	60.66	11975	60.79	12000	60.92	12025	61.05	12050	61.18	12075	61.31	12100	61.44	12125	61.57	12150	61.70	12175	61.83	12200	61.96	12225	62.09	12250	62.22	12275	62.35	12300	62.48	12325	62.61	12350	62.74	12375	62.87	12400	63.00	12425	63.13	12450	63.26	12475	63.39	12500	63.52	12525	63.65	12550	63.78	12575	63.91	12600	64.04	12625	64.17	12650	64.30	12675	64.43	12700	64.56	12725	64.69	12750	64.82	12775	64.95	12800	65.08	12825	65.21	12850	65.34	12875	65.47	12900	65.60	12925	65.73	12950	65.86	12975	65.99	13000	66.12	13025	66.25	13050	66.38	13075	66.51	13100	66.64	13125	66.77	13150	66.90	13175	67.03	13200	67.16	13225	67.29	13250	67.42	13275	67.55	13300	67.68	13325	67.81	13350	67.94	13375	68.07	13400	68.20	13425	68.33	13450	68.46	13475	68.59	13500	68.72	13525	68.85	13550	68.98	13575	69.11	13600	69.24	13625	69.37	13650	69.50	13675	69.63	13700	69.76

MAXIMUM CLASS OPERATING RPM
FAN TEMPERATURE

SINGLE WIDTH
SINGLE INLET

SIZE 3037

SIZE 3037	-20° to 300°F -29° to 149°C
CLASS I	1049
CLASS II	1368

Wheel Diameter	36.50 inches	927 mm
Wheel Circumference	9.56 feet	2.914 m
Inlet Diameter/Area	39.0 inches dia./8.30 sq. ft.	991 mm/.7711 m ²
Outlet Size/Area	38.29 x 28.73 inches I.D./7.64 sq. ft.	973 x 730 mm/.7098 m ²
Tip Speed	9.56 x RPM ft./minute	2.914 x RPM m/minute
Maximum BHP	17.36 x (RPM ÷ 1000) ³ BHP	12.95 x (RPM ÷ 1000) ³ kW

VOL CFM	OV FPM	¼" SP		½" SP		¾" SP		1" SP		1 ½" SP		2" SP		2 ½" SP		3" SP		3 ½" SP		4" SP		4 ½" SP		5" SP		5 ½" SP		6" SP		6 ½" SP			
		RPM	BHP	RPM	BHP	RPM	BHP	RPM	BHP	RPM	BHP	RPM	BHP	RPM	BHP	RPM	BHP	RPM	BHP	RPM	BHP	RPM	BHP	RPM	BHP	RPM	BHP	RPM	BHP	RPM	BHP		
6104	800	283	0.40	310	0.52	336	0.65	362	0.79	385	0.92	410	1.07	433	1.22	443	1.22	443	1.22	443	1.22	443	1.22	443	1.22	443	1.22	443	1.22	443	1.22	443	1.22
6867	900	305	0.49	330	0.63	354	0.77	377	0.92	399	1.06	421	1.22	443	1.38	484	1.71	484	1.71	484	1.71	484	1.71	484	1.71	484	1.71	484	1.71	484	1.71	484	1.71
7630	1000	328	0.60	351	0.75	373	0.91	395	1.07	415	1.23	436	1.40	456	1.57	495	1.92	495	1.92	495	1.92	495	1.92	495	1.92	495	1.92	495	1.92	495	1.92	495	1.92
8393	1100	352	0.73	373	0.90	393	1.06	413	1.23	433	1.41	451	1.58	471	1.77	507	2.14	507	2.14	507	2.14	507	2.14	507	2.14	507	2.14	507	2.14	507	2.14	507	2.14
9156	1200	377	0.89	397	1.07	415	1.24	434	1.43	451	1.60	470	1.81	488	2.00	521	2.39	521	2.39	521	2.39	521	2.39	521	2.39	521	2.39	521	2.39	521	2.39	521	2.39
9919	1300	403	1.07	421	1.26	438	1.45	455	1.64	472	1.84	489	2.04	505	2.24	537	2.66	537	2.66	537	2.66	537	2.66	537	2.66	537	2.66	537	2.66	537	2.66	537	2.66
10682	1400	428	1.26	444	1.46	461	1.67	478	1.89	494	2.10	509	2.31	524	2.52	555	2.97	555	2.97	555	2.97	555	2.97	555	2.97	555	2.97	555	2.97	555	2.97	555	2.97
11445	1500	454	1.49	470	1.71	486	1.94	501	2.16	515	2.37	531	2.61	545	2.83	574	3.30	574	3.30	574	3.30	574	3.30	574	3.30	574	3.30	574	3.30	574	3.30	574	3.30
12208	1600	480	1.74	495	1.97	509	2.20	524	2.44	539	2.69	553	2.93	566	3.16	594	3.67	594	3.67	594	3.67	594	3.67	594	3.67	594	3.67	594	3.67	594	3.67	594	3.67
12971	1700	507	2.03	521	2.28	535	2.53	548	2.77	562	3.03	575	3.28	588	3.53	614	4.05	614	4.05	614	4.05	614	4.05	614	4.05	614	4.05	614	4.05	614	4.05	614	4.05
13734	1800	533	2.34	547	2.61	560	2.87	572	3.12	586	3.41	598	3.66	610	3.92	635	4.46	635	4.46	635	4.46	635	4.46	635	4.46	635	4.46	635	4.46	635	4.46	635	4.46
14497	1900	560	2.69	572	2.96	585	3.24	597	3.51	610	3.81	622	4.08	634	4.37	657	4.92	657	4.92	657	4.92	657	4.92	657	4.92	657	4.92	657	4.92	657	4.92	657	4.92
15260	2000	586	3.06	599	3.37	610	3.64	622	3.94	634	4.24	646	4.54	657	4.83	680	5.43	680	5.43	680	5.43	680	5.43	680	5.43	680	5.43	680	5.43	680	5.43	680	5.43
16786	2200	641	3.97	652	4.29	663	4.61	673	4.91	684	5.23	695	5.57	706	5.90	726	6.53	726	6.53	726	6.53	726	6.53	726	6.53	726	6.53	726	6.53	726	6.53	726	6.53
18312	2400	695	5.01	705	5.35	715	5.70	725	6.04	735	6.40	745	6.75	755	7.11	774	7.80	774	7.80	774	7.80	774	7.80	774	7.80	774	7.80	774	7.80	774	7.80	774	7.80
19838	2600	750	6.25	760	6.65	769	7.01	778	7.38	787	7.75	796	8.12	805	8.50	823	9.26	823	9.26	823	9.26	823	9.26	823	9.26	823	9.26	823	9.26	823	9.26	823	9.26
21364	2800	805	7.68	813	8.06	823	8.52	830	8.86	839	9.28	848	9.70	856	10.10	874	11.00	874	11.00	874	11.00	874	11.00	874	11.00	874	11.00	874	11.00	874	11.00	874	11.00
22890	3000	860	9.32	868	9.75	876	10.20	884	10.60	892	11.00	900	11.50	908	11.90	924	12.80	924	12.80	924	12.80	924	12.80	924	12.80	924	12.80	924	12.80	924	12.80	924	12.80
24416	3200	915	11.20	923	11.70	931	12.10	938	12.60	946	13.10	953	13.50	961	14.00	976	14.90	976	14.90	976	14.90	976	14.90	976	14.90	976	14.90	976	14.90	976	14.90	976	14.90
25942	3400	970	13.30	978	13.80	985	14.30	992	14.80	999	15.20	1006	15.70	1014	16.30	1028	17.20	1028	17.20	1028	17.20	1028	17.20	1028	17.20	1028	17.20	1028	17.20	1028	17.20	1028	17.20
27468	3600	1026	15.70	1033	16.20	1039	16.70	1047	17.20	1053	17.70	1060	18.30	1067	18.80	1080	19.80	1080	19.80	1080	19.80	1080	19.80	1080	19.80	1080	19.80	1080	19.80	1080	19.80	1080	19.80
28994	3800	1082	18.30	1088	18.80	1094	19.40	1101	19.90	1107	20.50	1114	21.00	1120	21.60	1133	22.70	1133	22.70	1133	22.70	1133	22.70	1133	22.70	1133	22.70	1133	22.70	1133	22.70	1133	22.70
30520	4000	1137	21.20	1144	21.80	1150	22.40	1156	23.00	1161	23.50	1168	24.10	1174	24.70	1186	25.80	1186	25.80	1186	25.80	1186	25.80	1186	25.80	1186	25.80	1186	25.80	1186	25.80	1186	25.80
32046	4200	1193	24.50	1199	25.10	1205	25.70	1211	26.30	1216	26.90	1222	27.50	1228	28.10	1239	29.20	1239	29.20	1239	29.20	1239	29.20	1239	29.20	1239	29.20	1239	29.20	1239	29.20	1239	29.20
33572	4400	1249	28.00	1254	28.60	1260	29.30	1266	29.90	1271	30.50	1277	31.20	1282	31.80	1293	33.00	1293	33.00	1293	33.00	1293	33.00	1293	33.00	1293	33.00	1293	33.00	1293	33.00	1293	33.00
35098	4600	1305	31.90	1310	32.60	1315	33.20	1321	33.90	1326	34.50	1331	35.20	1337	35.90	1347	37.20	1347	37.20	1347	37.20	1347	37.20	1347	37.20	1347	37.20	1347	37.20	1347	37.20	1347	37.20
36624	4800	1360	36.10	1366	36.80																												

VOL CFM	OV FPM	2" SP		2 ½" SP		3" SP		3 ½" SP		4" SP		4 ½" SP		5" SP		5 ½" SP		6" SP		6 ½" SP	
		RPM	BHP	RPM	BHP	RPM	BHP	RPM	BHP	RPM	BHP	RPM	BHP	RPM	BHP	RPM	BHP	RPM	BHP	RPM	BHP
9156	1200	619	3.66																		
9919	1300	630	4.01	688	4.95																
10682	1400	643	4.38	698	5.36	752	6.41														
11445	1500	657	4.77	710	5.80	761	6.88														
12208	1600	673	5.20	723	6.27	772	7.38	820	8.55												
12971	1700	690	5.67	738	6.78	785	7.94	831	9.14												
13734	1800	708	6.17	754	7.33	799	8.53	843	9.77	886	11.00										
14497	1900	727	6.71	771	7.91	815	9.18	857	10.40	898	11.70	929	12.40	970	13.70						
15260	2000	746	7.26	789	8.53	831	9.83	872	11.20	912	12.50	951	13.90	990	15.40	1028	16.80	1065	18.30		
16786	2200	787	8.51	827	9.89	866	11.30	904	12.70	942	14.20	978	15.60	1014	17.10	1050	18.70	1085	20.30	1120	

SILENTVANE™

SIZE 3040

SINGLE WIDTH
SINGLE INLET

MAXIMUM CLASS OPERATING RPM
FAN TEMPERATURE

Wheel Diameter	40.25 inches	1022 mm
Wheel Circumference	10.54 feet	3.213 m
Inlet Diameter/Area	43.5 inches sq./10.31 sq. ft.	1105 mm/9578 m ²
Outlet Size/Area	42.48 x 31.79 inches I.D./9.38 sq. ft.	1079 x 807 mm/8714 m ²
Tip Speed	10.54 x RPM ft./minute	3.211 x RPM m/minute
Maximum BHP	28.45 x (RPM + 1000) ³ BHP	21.22 x (RPM + 1000) ³ kW

SIZE 3040	-20° to 300°F -29° to 149°C
CLASS I	956
CLASS II	1247

VOL CFM	OV FPM	¼" SP		⅜" SP		½" SP		⅝" SP		¾" SP		7/8" SP		1" SP		1 ¼" SP		1 ½" SP		1 ¾" SP	
		RPM	BHP	RPM	BHP	RPM	BHP	RPM	BHP	RPM	BHP	RPM	BHP	RPM	BHP	RPM	BHP	RPM	BHP	RPM	BHP
7480	800	258	0.49	282	0.64	306	0.80	329	0.97	351	1.13	372	1.31	393	1.49						
8415	900	278	0.60	300	0.77	322	0.95	342	1.12	363	1.31	383	1.50	402	1.69	440	2.10				
9350	1000	299	0.74	320	0.93	340	1.12	359	1.31	378	1.51	396	1.71	414	1.92	449	2.34	483	2.80		
10285	1100	322	0.91	340	1.10	359	1.32	377	1.53	394	1.73	411	1.95	428	2.17	461	2.63	492	3.09	524	3.60
11220	1200	344	1.10	362	1.32	378	1.53	395	1.76	412	1.99	428	2.23	443	2.45	474	2.94	504	3.44	533	3.95
12155	1300	367	1.31	383	1.54	400	1.79	414	2.01	430	2.27	445	2.51	460	2.77	489	3.28	518	3.82	545	4.35
13090	1400	390	1.55	406	1.81	420	2.05	435	2.32	449	2.57	464	2.85	478	3.11	505	3.65	532	4.21	558	4.77
14025	1500	414	1.83	428	2.10	443	2.39	456	2.65	470	2.93	484	3.22	497	3.50	522	4.05	548	4.65	573	5.25
14960	1600	438	2.15	452	2.45	465	2.73	478	3.02	491	3.32	503	3.60	516	3.90	541	4.52	565	5.13	589	5.76
15895	1700	462	2.50	475	2.81	488	3.13	500	3.42	512	3.73	524	4.04	536	4.36	560	5.00	583	5.65	605	6.29
16830	1800	487	2.91	499	3.23	510	3.53	522	3.86	534	4.20	545	4.51	557	4.86	579	5.51	601	6.19	623	6.89
17765	1900	511	3.34	523	3.68	534	4.02	545	4.35	556	4.70	567	5.04	578	5.39	599	6.08	620	6.78	641	7.51
18700	2000	536	3.82	547	4.18	557	4.52	568	4.89	578	5.23	589	5.61	599	5.96	620	6.70	640	7.44	660	8.19
20570	2200	585	4.91	595	5.31	605	5.70	615	6.10	624	6.47	634	6.88	644	7.29	662	8.06	681	8.88	700	9.72
22440	2400	635	6.23	644	6.66	653	7.08	662	7.50	671	7.92	680	8.36	689	8.80	706	9.65	724	10.60	740	11.40
24310	2600	685	7.77	694	8.25	702	8.69	710	9.14	718	9.58	727	10.10	735	10.50	751	11.50	767	12.40	783	13.30
26180	2800	735	9.53	743	10.00	751	10.50	758	11.00	766	11.50	774	12.00	782	12.50	797	13.50	812	14.50	827	15.50
28050	3000	785	11.60	793	12.10	800	12.60	808	13.20	815	13.70	822	14.20	829	14.80	844	15.90	857	16.90	872	18.00
29920	3200	836	13.90	843	14.50	850	15.00	857	15.60	863	16.10	870	16.70	877	17.30	890	18.40	904	19.60	917	20.70
31790	3400	887	16.60	893	17.10	900	17.80	906	18.30	913	19.00	919	19.50	925	20.10	938	21.30	950	22.50	963	23.70
33660	3600	938	19.50	944	20.10	950	20.80	956	21.40	962	22.00	968	22.60	974	23.30	986	24.50	998	25.80	1010	27.10
35530	3800	988	22.70	994	23.40	1000	24.10	1006	24.80	1012	25.50	1017	26.10	1023	26.80	1034	28.10	1046	29.50	1057	30.80
37400	4000	1039	26.40	1045	27.10	1050	27.80	1055	28.40	1061	29.20	1067	30.00	1072	30.60	1083	32.00	1094	33.50	1105	34.90
39270	4200	1090	30.40	1095	31.10	1100	31.80	1106	32.60	1111	33.40	1116	34.10	1121	34.80	1132	36.30	1142	37.80	1153	39.40
41140	4400	1141	34.80	1146	35.60	1151	36.40	1156	37.10	1161	37.90	1166	38.70	1171	39.50	1181	41.00	1191	42.60	1201	44.20
43010	4600	1192	39.70	1197	40.50	1202	41.30	1206	42.00	1211	42.90	1216	43.70	1221	44.50	1230	46.10	1240	47.80		
44880	4800	1243	44.90	1247	45.70																

VOL CFM	OV FPM	2" SP		2 ¼" SP		3" SP		3 ¼" SP		4" SP		4 ½" SP		5" SP		5 ½" SP		6" SP		6 ¾" SP	
		RPM	BHP	RPM	BHP	RPM	BHP	RPM	BHP	RPM	BHP	RPM	BHP	RPM	BHP	RPM	BHP	RPM	BHP	RPM	BHP
11220	1200	562	4.49																		
12155	1300	572	4.90	624	6.05																
13090	1400	584	5.36	634	6.57	682	7.83														
14025	1500	598	5.87	645	7.12	691	8.42	736	9.80												
14960	1600	612	6.39	658	7.72	702	9.08	745	10.50	787	12.00										
15895	1700	628	6.98	671	8.33	713	9.73	755	11.20	795	12.70	835	14.30								
16830	1800	644	7.57	686	9.01	727	10.50	766	12.00	805	13.50	843	15.20	880	16.80						
17765	1900	662	8.26	702	9.74	741	11.30	779	12.80	817	14.50	853	16.10	889	17.80	924	19.50				
18700	2000	680	8.97	718	10.50	756	12.10	793	13.70	829	15.40	864	17.10	899	18.80	933	20.60	967	22.40		
20570	2200	718	10.50	754	12.20	788	13.90	823	15.70	856	17.40	890	19.20	922	21.00	954	22.90	986	24.90	1017	26.80
22440	2400	757	12.30	791	14.10	823	15.90	856	17.80	887	19.70	918	21.60	949	23.50	979	25.50	1009	27.50	1039	29.60
24310	2600	799	14.30	830	16.20	860	18.10	891	20.20	920	22.10	950	24.20	979	26.30	1007	28.30	1036	30.50	1063	32.60
26180	2800	842	16.60	871	18.60	900	20.70	928	22.80	956	24.90	984	27.10	1011	29.30	1038	31.50	1065	33.70	1091	36.00
28050	3000	886	19.10	913	21.30	940	23.40	967	25.70	994	28.00	1020	30.30	1046	32.60	1071	34.90	1097	37.30	1121	39.60
29920	3200	930	21.90	956	24.20	982	26.50	1007	28.90	1033	31.30	1057	33.70	1082	36.10	1106	38.50	1130	41.00	1154	43.50
31790	3400	976	25.00	1000	27.40	1025	29.90	1049	32.40	1073	34.90	1096	37.40	1120	40.00	1143	42.60	1166	45.20	1189	47.80
33660	3600	1022	28.40	1045	31.00	1068	33.60	1091	36.20	1114	38.90	1136	41.50	1159	44.20	1181	46.90	1203	49.60	1225	52.40
35530	3800	1068	32.10	1091	34.90	1112	37.60	1135	40.40	1156	43.10	1178	46.00	1199	48.80	1220	51.60	1241	54.40		
37400	4000	1115	36.30	1136	39.10	1157	41.90	1178	44.80	1199	47.80	1220	50.80	1240	53.60						
39270	4200	1163	40.80	1183	43.80	1203	46.80	1223	49.80	1243	52.80										
41140	4400	1210	45.60	1230	48.80																

VOL CFM	OV FPM	7" SP		8" SP		9" SP		10" SP		11" SP		12" SP		13" SP		14" SP		15" SP		16" SP	
		RPM	BHP	RPM	BHP	RPM	BHP	RPM	BHP	RPM	BHP	RPM	BHP	RPM	BHP	RPM	BHP	RPM	BHP	RPM	BHP
20570	2200	1048	28.80																		
22440	2400	1067	31.60	1124	35.90	1180	40.30														
24310	2600	1091	34.90	1145	39.30	1198	43.90														
26180	2800	1117	38.30	11																	

SILENTVANE™

SIZE 3049

SINGLE WIDTH
SINGLE INLET

MAXIMUM CLASS OPERATING RPM
FAN TEMPERATURE

Wheel Diameter	49.00 inches	1245 mm
Wheel Circumference	12.83 feet	3.911 m
Inlet Diameter/Area	52.5 inches sq./15.02 sq. ft.	1334 mm/1.395 m ²
Outlet Size/Area	51.67 x 38.79 inches I.D./13.92 sq. ft.	1312 x 985 mm/1.293 m ²
Tip Speed	12.83 x RPM ft./minute	3.909 x RPM m/minute
Maximum BHP	76.34 x (RPM ÷ 1000) ³ BHP	56.93 x (RPM ÷ 1000) ³ kW

SIZE 3049	-20° to 300°F -29° to 149°C
CLASS I	788
CLASS II	1028

VOL CFM	OV FPM	½" SP		¾" SP		1" SP		1¼" SP		1½" SP		1¾" SP	
		RPM	BHP	RPM	BHP	RPM	BHP	RPM	BHP	RPM	BHP	RPM	BHP
11128	800	212	0.72	232	0.95	252	1.19	270	1.43	289	1.70	306	1.95
12519	900	229	0.90	247	1.15	265	1.41	281	1.66	299	1.95	315	2.23
13910	1000	247	1.12	263	1.38	280	1.67	296	1.97	311	2.25	326	2.55
15301	1100	265	1.36	280	1.65	296	1.97	310	2.27	324	2.58	338	2.90
16692	1200	284	1.65	298	1.97	312	2.30	326	2.64	339	2.97	352	3.31
18083	1300	302	1.95	316	2.31	329	2.67	341	3.01	354	3.38	367	3.77
19474	1400	322	2.34	334	2.70	346	3.07	359	3.48	370	3.84	382	4.25
20865	1500	341	2.74	353	3.15	365	3.57	376	3.97	387	4.37	398	4.79
22256	1600	361	3.22	372	3.64	383	4.08	394	4.52	404	4.94	414	5.36
23647	1700	381	3.75	392	4.22	402	4.67	412	5.12	422	5.58	432	6.05
25038	1800	401	4.34	411	4.82	421	5.31	430	5.77	440	6.27	449	6.74
26429	1900	421	4.98	431	5.51	440	6.01	449	6.50	458	7.01	467	7.53
27820	2000	442	5.73	450	6.22	459	6.76	468	7.30	477	7.85	485	8.36
30602	2200	482	7.35	490	7.92	498	8.49	507	9.13	515	9.72	522	10.30
33384	2400	523	9.30	531	10.00	538	10.60	546	11.20	553	11.90	560	12.50
36166	2600	565	11.70	572	12.30	579	13.00	585	13.60	592	14.40	599	15.10
38948	2800	606	14.30	613	15.10	619	15.80	626	16.60	631	17.20	638	18.00
41730	3000	648	17.40	654	18.20	660	18.90	666	19.70	671	20.40	677	21.20
44512	3200	689	20.80	695	21.70	701	22.50	706	23.30	712	24.20	717	25.00
47294	3400	731	24.80	737	25.70	742	26.60	747	27.40	752	28.30	757	29.20
50076	3600	773	29.20	778	30.10	783	31.10	788	32.00	793	33.00	798	33.90
52858	3800	815	34.10	819	35.00	824	36.10	829	37.10	834	38.10	839	39.20
55640	4000	857	39.60	861	40.60	866	41.70	870	42.60	875	43.80	879	44.70
58422	4200	899	45.60	903	46.70	907	47.70	912	48.90	916	50.00	920	51.00
61204	4400	941	52.20	945	53.30	949	54.50	953	55.60	957	56.70	961	57.90
63986	4600	983	59.50	987	60.70	991	61.90	995	63.10	999	64.30	1002	65.30
66768	4800	1025	67.30										

VOL CFM	OV FPM	2" SP		2½" SP		3" SP		3½" SP		4" SP		4½" SP		5" SP		5½"		6" SP		6½" SP	
		RPM	BHP	RPM	BHP	RPM	BHP	RPM	BHP	RPM	BHP	RPM	BHP	RPM	BHP	RPM	BHP	RPM	BHP	RPM	BHP
16692	1200	462	6.68																		
18083	1300	471	7.33	513	9.01																
19474	1400	481	8.02	521	9.77	561	11.70														
20865	1500	491	8.70	530	10.60	568	12.50	605	14.60												
22256	1600	503	9.50	541	11.50	577	13.50	612	15.60	646	17.70										
23647	1700	517	10.40	552	12.40	587	14.50	621	16.70	654	19.00	686	21.30								
25038	1800	530	11.30	564	13.40	598	15.60	630	17.80	662	20.20	693	22.50	724	25.00						
26429	1900	545	12.30	577	14.50	609	16.70	641	19.10	671	21.50	702	24.00	731	26.50	760	29.10				
27820	2000	559	13.30	591	15.70	622	18.00	652	20.40	682	22.90	710	25.40	739	28.00	767	30.60	795	33.40		
30602	2200	591	15.70	620	18.20	649	20.70	677	23.30	704	25.90	732	28.70	758	31.30	784	34.10	811	37.10	836	39.90
33384	2400	624	18.40	651	21.00	678	23.80	704	26.50	730	29.30	755	32.10	780	35.00	805	38.00	830	41.10	854	44.10
36166	2600	658	21.40	683	24.20	708	27.00	733	30.00	758	33.10	781	36.00	805	39.10	829	42.30	851	45.30	875	48.70
38948	2800	693	24.70	717	27.70	741	30.90	764	34.00	787	37.20	810	40.40	832	43.60	854	46.90	876	50.20	898	53.70
41730	3000	730	28.60	752	31.70	774	35.00	796	38.30	818	41.70	839	45.00	860	48.40	882	52.10	902	55.40	923	59.10
44512	3200	766	32.60	788	36.20	809	39.70	829	43.00	850	46.70	870	50.20	890	53.80	911	57.60	930	61.10	950	65.00
47294	3400	804	37.30	824	41.00	844	44.70	864	48.40	883	52.00	903	55.90	922	59.70	941	63.50	960	67.40	978	71.20
50076	3600	842	42.50	861	46.30	880	50.20	899	54.10	918	58.10	936	62.00	954	65.90	972	69.90	990	74.00	1008	78.10
52858	3800	880	48.00	898	52.00	917	56.30	934	60.20	952	64.40	970	68.60	987	72.70	1005	77.10	1022	81.20		
55640	4000	919	54.30	936	58.40	954	62.80	971	67.10	988	71.40	1005	75.80	1021	80.00						
58422	4200	958	61.00	975	65.50	991	69.90	1008	74.50	1024	79.00										
61204	4400	998	68.40	1013	72.90																

VOL CFM	OV FPM	7" SP		8" SP		9" SP		10" SP		11" SP		12" SP		13" SP		14" SP		15" SP		16" SP	
		RPM	BHP	RPM	BHP	RPM	BHP	RPM	BHP	RPM	BHP	RPM	BHP	RPM	BHP	RPM	BHP	RPM	BHP	RPM	BHP
30602	2200	861	42.80																		
33384	2400	878	47.20	925	53.60	970	60.00														
36166	2600	897	51.90	941	58.40	985	65.40	1027	72.20												
38948	2800	919	57.00	961	63.90	1002	71.00														
41730	3000	943	62.60	983	69.80	1023	77.40														
44512	3200	969	68.60	1007	76.20																
47294	3400	997	75.20																		
50076	3600	1026	82.30																		

Underlined figures in columns approximate Max. Static Efficiency and Quietest Selection. CL. I CL. II
 The standard AMCA class range is shown by the shaded areas. Standard carbon steel fans may be used up to the Maximum Design RPM as listed above for each fan class.
 If the Maximum Safe Operating RPM is not shown, consult the factory.
Performance shown is for Installation Type B - Free Inlet, Ducted Outlet.
Power rating (BHP) does not include transmission losses. Performance ratings do not include the effects of appurtenances (accessories).
All capacities listed above are based on standard Air Density of 0.075 Lbs./Cu. Ft. at 70°F & 0 Ft. elevation (1.2 kg/m³ at 21.1°C & 0 m).

Blowers and General Ventilation

