



Est. 1938

Belt Drive Filtered Supply Fans Models AFSL, AFSN and AFSL

Models AFSL, AFSN and AFSL provide a complete roof top package that includes the blower, washable aluminum filters and removable hood. These fans are designed to supply fresh, filtered make-up air to replace air being removed by ventilation systems exhausting fumes, gases and odors from building.



AFSI



AFSN



AFSL

Construction Features

Housing

- Constructed of heavy gauge galvanized steel
- Designed for efficient airflow and maximum weather resistance
- Pre-punched mounting holes reduce installation time
- Platform constructed of heavy gauge galvanized steel

Hood

- AFSN/AFSI - Constructed of heavy gauge steel
- AFSL - Constructed of extruded aluminum louvers with mitered and welded corners
- Insulated with 1" fiberglass to prevent condensation
- Hood held in place with quick release clips allowing easy access to filters and blower
- 1" washable aluminum filters

Blower

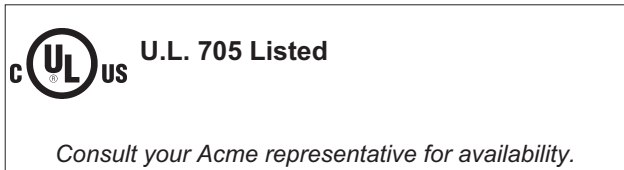
- Double width, double inlet blowers for maximum air delivery at higher pressures
- Forward curved galvanized steel wheels dynamically balanced for vibration free operation
- Bearing rated at L₅₀ life of 200,000 hours
- Open dripproof motor with sealed ball bearings designed for continuous operation
- Static free, oil and heat resistant belts
- Adjustable motor pulleys for system balancing

Disconnect Switch

- Standard NEMA 1 toggle switch mounted on blower housing sized for voltage and horsepower requirement (except explosion proof motors)

Options/Accessories

- Roof Curbs
- Dampers
- 2" Aluminum Filters
- Side Discharge (AFSN & AFSL)



AFSL



AFSN

Acme Engineering & Manufacturing Corporation certifies that Models AFSN and AFSL shown herein are licensed to bear the AMCA seal for air performance. The ratings shown are based on tests and procedures performed in accordance with AMCA Publication 211 comply with the requirements of the AMCA Certified Ratings Program.

Model AFSN also licensed to bear the AMCA seal for sound performance. The ratings shown are based on tests and procedures performed in accordance with AMCA Publication 311 and comply with the requirements of the AMCA Certified Ratings Program.

The A-weighted sound ratings shown have been calculated per AMCA Standard 301. Values shown are for [inlet Lw(A)] sound power levels for Installa-

tion Type B: Free Inlet, Ducted Outlet. Ratings do not include the effects of duct end correction.

The application of sound ratings to various fan installations produces different sound rating requirements. Also, some engineers have preferences for the type of sound rating they want to use. For these reasons, Acme has provided two different sound rating values for the noise produced by each fan. They are shown in the following values:

DECIBELS this is the sound power level in decibels (db) for each of the 8 octave bands to the reference power of 10-12 watt.

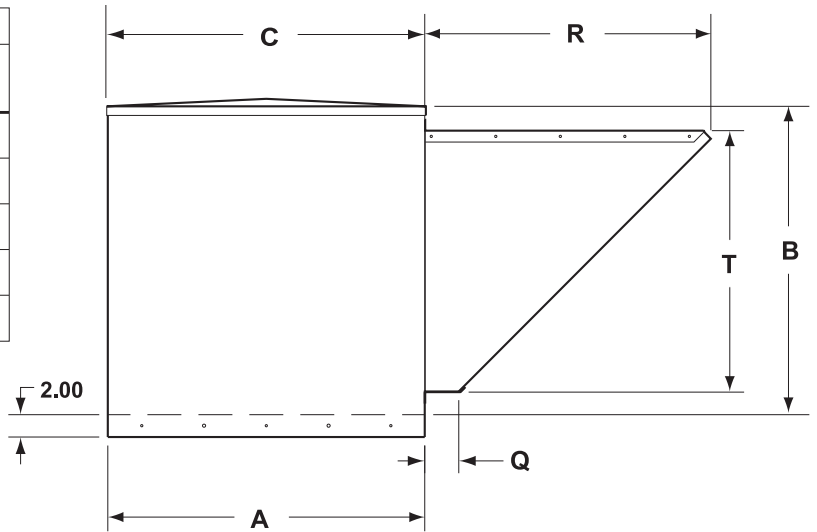
Lw(A) - is a single number sound power level in decibels adjusted to represent the affect of the "A" weighted network on each octave band.

Complete licensed sound rating data is available in Bulletin S20.

AFSI

DIMENSIONS						
Fan Model	A	B	C	R	T	Q
AFSI106	27.88	28.75	28.25	25.27	23.04	3.0
AFSI126	31.86	33.88	32.25	31.45	28.54	3.0
AFSI150	39.85	41.50	40.25	38.00	35.79	3.0
AFSI181	45.97	45.75	46.44	38.00	35.79	3.0
AFSI200	55.96	53.55	56.44	45.11	42.76	3.0

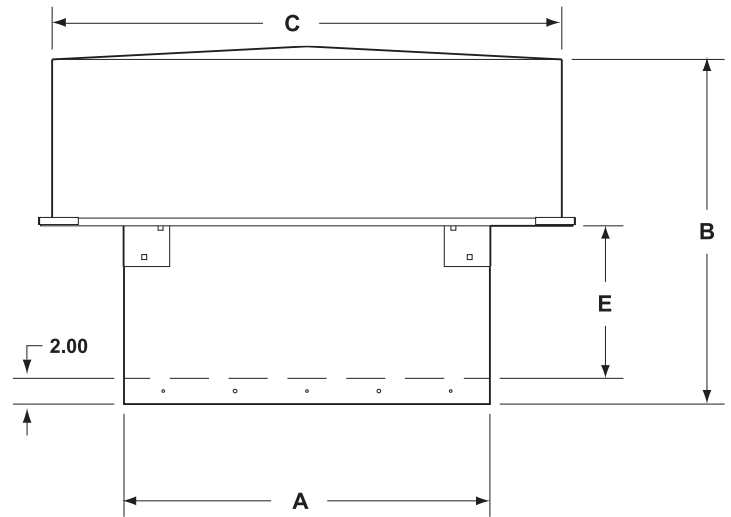
Dimensions are shown in inches.



AFSN

DIMENSIONS				
Fan Model	A	B	C	E
AFSN106	27.87	26.70	39.00	11.68
AFSN126	31.86	35.15	44.00	16.43
AFSN150	39.85	39.45	52.00	18.46
AFSN181	45.97	50.16	61.36	20.20
AFSN200	55.96	58.22	77.49	28.97

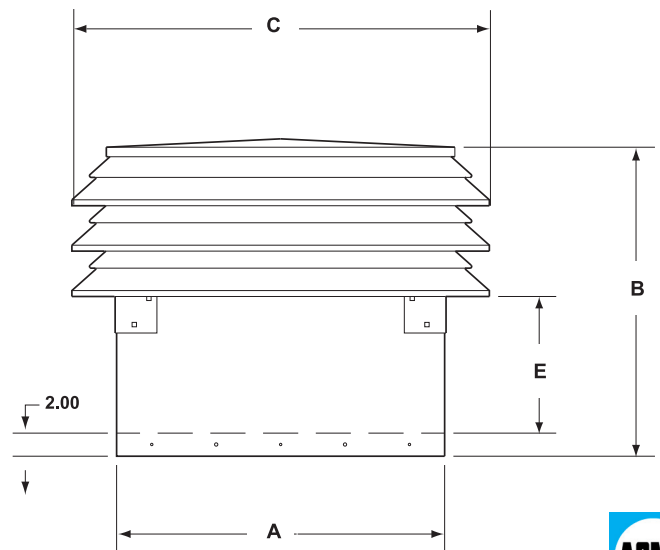
Dimensions are shown in inches.



AFSL

DIMENSIONS				
Fan Model	A	B	C	E
AFSL106	27.87	27.04	35.63	11.69
AFSL126	31.86	36.09	39.63	16.57
AFSL150	39.85	40.25	47.63	18.68
AFSL181	45.97	53.10	53.79	20.80
AFSL200	55.96	61.16	63.91	31.57

Dimensions are shown in inches.



AFSI106

		PERFORMANCE DATA																									
Fan Size Hp	CFM	Static Pressure																									
		.000"		.125"		.250"		.375"		.500"		.625"		.750"		.875"		1.000"		1.125"		1.250"		1.375"		1.500"	
		RPM	RPM	RPM	RPM	RPM	RPM	RPM	RPM	RPM	RPM	RPM	RPM	RPM	RPM	RPM	RPM	RPM	RPM	RPM	RPM	RPM	RPM	RPM	RPM	RPM	RPM
		BHP	LwoA	BHP	LwoA	BHP	LwoA	BHP	LwoA	BHP	LwoA	BHP	LwoA	BHP	LwoA	BHP	LwoA	BHP	LwoA	BHP	LwoA	BHP	LwoA	BHP	LwoA	BHP	LwoA
106E .25	800			429																							
				0.05	69																						
	1000			464		587																					
				0.08	68	0.12	68																				
	1200			505		618		716																			
				0.12	68	0.17	68	0.22	69																		
	1400			464		557		653		745		829															
			0.13	69	0.17	68	0.23	69	0.28	70	0.34	72															
1600			531		611		694		780		858		931		1000												
			0.19	70	0.24	70	0.29	71	0.36	72	0.42	73	0.49	74	0.56	75											
1800			597		666		741		817		892		961		1026		1089										
			0.27	72	0.32	72	0.38	73	0.45	74	0.53	75	0.60	76	0.67	76	0.75	76									
1900			630		696		767		838		910		978		1040		1102		1162								
			0.32	73	0.37	73	0.43	74	0.50	74	0.59	75	0.66	76	0.73	77	0.81	77	0.90	77							
106F .33	2000			663		726		793		859		928		995		1057		1115		1174		1230					
				0.37	74	0.43	74	0.49	75	0.56	75	0.65	76	0.73	77	0.81	77	0.88	77	0.97	78	1.06	78				
	2100			696		757		820		881		948		1013		1074		1132		1187		1243		1296			
			0.43	75	0.49	75	0.55	76	0.62	76	0.71	77	0.81	77	0.89	78	0.96	78	1.05	78	1.14	79	1.24	79			
2200			729		788		847		906		969		1030		1092		1149		1202		1256		1308		1359		
			0.49	76	0.56	76	0.62	77	0.69	77	0.78	78	0.88	78	0.97	79	1.05	79	1.13	79	1.23	79	1.33	80	1.42	80	
106H .75	2300			762		818		874		932		990		1050		1109		1166		1219		1269		1321		1371	1419
				0.56	77	0.63	77	0.70	78	0.77	78	0.85	78	0.96	78	1.06	79	1.15	79	1.23	79	1.32	80	1.42	80	1.52	81
	2400			795		850		901		958		1011		1071		1127		1183		1236		1286		1334		1384	
				0.64	78	0.71	78	0.78	79	0.86	79	0.93	79	1.04	79	1.15	79	1.25	80	1.34	80	1.43	80	1.51	81	1.62	81
	2500			829		881		929		985		1036		1092		1147		1201		1254		1303		1351			
			0.72	79	0.80	79	0.87	80	0.95	80	1.02	80	1.13	80	1.24	80	1.35	80	1.45	81	1.54	81	1.63	81			
2600			862		912		958		1012		1062		1113		1167		1219		1271								
			0.81	80	0.89	80	0.96	81	1.05	80	1.12	80	1.22	80	1.34	80	1.46	81	1.56	81							
2800			928		975		1018		1066		1114		1160		1209												
			1.02	82	1.10	82	1.18	82	1.26	82	1.35	82	1.43	81	1.55	82											
106K 1.50	3000			994		1038		1079		1120		1167															
				1.25	84	1.34	83	1.42	83	1.51	83	1.61	83														
	3200			1061		1102																					
			1.52	85	1.61	85																					

AFSI126

		PERFORMANCE DATA																													
Fan Size HP	CFM	Static Pressure																													
		.000"		.125"		.250"		.375"		.500"		.625"		.750"		.875"		1.000"		1.125"		1.250"		1.500"		1.625"		1.750"		1.875"	
		RPM	RPM	RPM	RPM	RPM	RPM	RPM	RPM	RPM	RPM	RPM	RPM	RPM	RPM	RPM	RPM	RPM	RPM	RPM	RPM	RPM	RPM	RPM	RPM	RPM	RPM	RPM	RPM	RPM	
		BHP	LwoA	BHP	LwoA	BHP	LwoA	BHP	LwoA	BHP	LwoA	BHP	LwoA	BHP	LwoA	BHP	LwoA	BHP	LwoA	BHP	LwoA	BHP	LwoA	BHP	LwoA	BHP	LwoA	BHP	LwoA		
126F .33	1400					470		555																							
						0.15	66	0.20	67																						
	1600					488		567		640																					
					0.19	67	0.25	67	0.30	68																					
	1800					509		581		652		716																			
				0.24	67	0.30	68	0.36	69	0.43	70																				
2000					533		601		665		728		785																		
				0.30	68	0.36	68	0.43	69	0.50	70	0.57	71																		
2200					490		560		622		683		741		798		850		903												
				0.30	69	0.37	69	0.44	69	0.51	70	0.59	71	0.67	72	0.74	72	0.83	73												
126G .50	2400					522		587		647		704		758		812		863		912		960									
				0.37	70	0.45	70	0.52	70	0.60	71	0.69	72	0.77	72	0.86	73	0.94	74	1.02	75										
	2600					496		554		615		673		725		778		827		875		925		971		1014					
				0.39	71	0.46	71	0.54	71	0.62	71	0.70	72	0.79	72	0.88	73	0.98	74	1.07	75	1.16	75	1.24	76						
2800					534		588		645		699		750		799		848		893		939		984		1027		1109	1151			
				0.49	72	0.56	72	0.65	72	0.73	72	0.82	73	0.91	73	1.01	74	1.11	75	1.21	75	1.31	76	1.40	77	1.60	78				
126H .75	3000					572		623		676		727		777		822		868		913		955		998		1041		1121	1158	1197	1237
				0.61	73	0.68	73	0.77	74	0.86	74	0.95	74	1.05	74	1.15	75	1.26	76	1.36	76	1.47	77	1.57	78	1.78	79	1.88	80	1.99	80
3200					611		659		707		756		803		848		890		934		975		1015		1055		1134		1172	1208	
				0.74	75	0.82	75	0.91	75	1.00	75	1.10	75	1.20	76	1.30	76	1.42	77	1.53	77	1.64	78	1.75	78	1.98	80	2.09	81	2.19	80
3600					687		730		771		817		858		901		941		979		1017		1056		1093						
				1.05	78	1.14	77	1.23	77	1.34	78	1.44	78	1.56	78	1.68	78	1.79	79	1.90	79	2.03	79	2.16	80						
126K 1.50	4000					763		803		839		879		919		956		995													
				1.44	80	1.54	80	1.64	80	1.76	80	1.88	80	1.99	80	2.12	81														
126L 2.00	4400					839		876		909																					
				1.91	82	2.03	82	2.14	82																						
4600					878																										
				2.18	83																										

The AMCA Certified Ratings Seal for Sound and Air Performance does not apply to model AFSI. Values shown are for outlet LwoA sound power levels for Installation Type B: Free Inlet, Ducted Outlet. Ratings include the effects of duct end correction. Performance shown is for installation type B: Free Inlet, Ducted outlet. Performance ratings include the effects of filters in the airstream. Power rating (BHP) does not include drive losses. **Motors and drives are not mounted and are shipped in separate cartons.**

