



**ACME ENGINEERING &
MANUFACTURING CORP.**
P.O. Box 978
Muskogee, OK 74402
Phone: 918/682-7791
Fax: 918-682-0134
www.acmefan.com

Medium Duty Direct Drive Exhaust Fan Model DMD



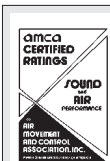
Provides an efficient, economical way to ventilate clean air in industrial/commercial applications. Heavy-duty venturi panel with a fixed-position motor base and rigid supports. Motors are totally enclosed. All units on this page are shipped completely assembled.

Performance

Model	Propeller Dia. (In.)	CFM Air Delivery					Motor RPM	HP	BHP	Sones 5 Ft. .000" SP
		0.0"	0.125"	0.250"	0.375"	0.500"				
DMD-E12E	12	1263	1125	980	680	—	1725	1/4	.10	14.1
DMD-E16E	16	2662	2375	1950	1330	1130	1725	1/4	.25	20
DMD-E18F	18	3231	2950	2490	2025	1550	1725	1/3	.32	19.3
DMD-E20G	20	4295	4060	3810	3460	2795	1725	1/2	.50	24
DMD-E24G	24	5521	5050	4550	4000	3420	1725	1/2	.57	27
DMD-E24H	24	6384	5960	5550	5000	4300	1725	3/4	.75	28
DMD-E30H	30	9478	8700	7800	6680	5000	1160	3/4	.80	26

Performance certified is for installation Type A, free Inlet, free outlet. Speed (RPM) shown is nominal. Performance is based on actual speed of test. Performance ratings do not include the effects of appurtenances (accessories). The sound ratings shown are loudness values in hemispherical sones at 1.5 m (5 ft) in a hemispherical free field calculated per AMCA Standard 301. Values are shown for Installation Type A: free inlet hemispherical sone levels.

The brake horsepower (BHP) capability of a fan motor is dependent on the degree of cooling the motor receives from the moving airstream over the motor. The motor loading beyond the motor nameplate rating on Acme built fans does not overheat the motor and is within NEMA recommended limits. It is therefore not detrimental to the motor and is economically desirable.



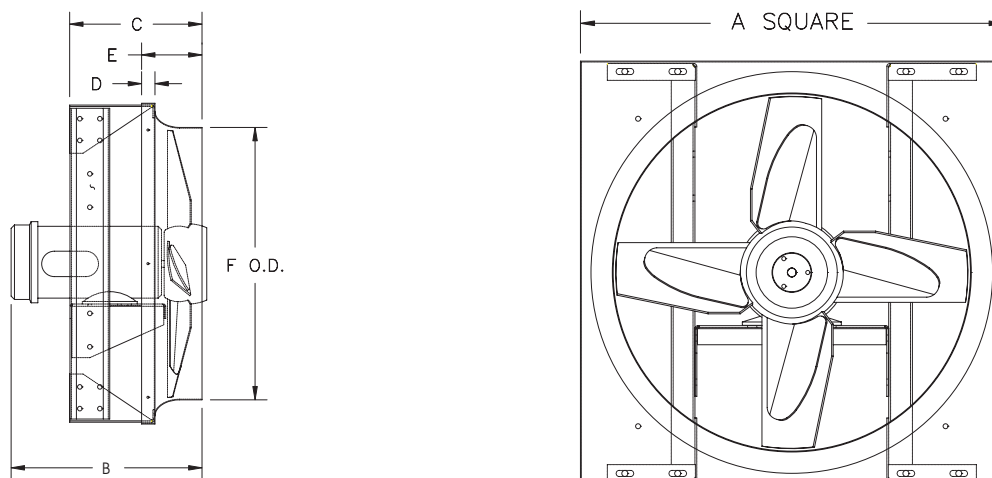
Acme Engineering & Manufacturing Corporation certifies that the ventilators shown herein are licensed to bear the AMCA seal. The ratings shown are based on tests and procedures performed in accordance with AMCA Publication 211 and AMCA Publication 311 and comply with the requirements of the AMCA Certified Ratings Program.



U.L. 705 Listed

Consult your Acme representative for availability.

Dimensions



Model	Propeller Dia.	A Sq.	B Max.	C	D	E	F
DMD12	12"	16"	14 ¹³ / ₁₆ "	8 ¹ / ₂ "	1"	2 ¹⁵ / ₁₆ "	12 ¹ / ₄ "
DMD16	16	20	14 ¹ / ₁₆ "	7 ⁷ / ₈	1	3 ⁹ / ₁₆ "	16 ⁵ / ₁₆ "
DMD18	18	22	14 ¹¹ / ₁₆ "	9	1 ¹ / ₁₆ "	4 ¹ / ₁₆ "	18 ⁵ / ₁₆ "
DMD20	20	24	15 ³ / ₈ "	9 ⁷ / ₈ "	1	4 ¹ / ₂ "	20 ³ / ₈ "
DMD24	24	28	11 ⁷ / ₈ "	11 ¹ / ₁₆ "	1	4 ¹⁵ / ₁₆ "	24 ⁷ / ₁₆ "
DMD30	30	34	14	12 ⁵ / ₈ "	1 ¹ / ₁₆ "	5 ⁵ / ₈ "	30 ¹ / ₂ "

LIMITED WARRANTY Acme Engineering and Manufacturing Corporation extends this limited warranty to the original purchaser and warrants that products described herein shall be free from original defects in workmanship and materials for two years from date of shipment (except for Acme's exclusive duplex split pillow block bearings and shaft 5 years from shipment, belts one year from shipment, and polyethylene tubing at 90 days from shipping), provided same have been properly handled, stored, installed, serviced, maintained and operated. Refer to Form MS149 for complete limited warranty terms and conditions. This form is available to anyone at www.acmefan.com. The Company's warranty is in lieu of all other warranties, express or implied, arising by law or otherwise, including without limitation the implied warranties of merchantability and fitness for a particular purpose, which are hereby expressly disclaimed claimed and waived.

Acme products are designed and manufactured to provide reliable performance but they are not guaranteed to be 100% free of defects. Even reliable products will experience occasional failures and this possibility should be recognized by the Purchaser and End User. If these products are used in a life support ventilation system where failure could result in loss or injury, the Purchaser and End User should provide adequate back-up ventilation, supplementary natural ventilation or failure alarm system, or acknowledge willingness to accept the risk of such loss or injury.

WARNING DO NOT use in HAZARDOUS ENVIRONMENTS where fan's electrical system could provide ignition to combustible or flammable materials unless unit is specifically built for hazardous environments. Comply with all local and national safety codes including the National Electrical Code (NEC) and National Fire Protection Act (NFPA). Guards must be installed when fan is within reach of personnel or within eight (8) feet

(2.5 m) of working level or when deemed advisable for safety.

DISCLAIMER The Company has made a diligent effort to illustrate and describe the products in this literature accurately; however, such illustrations and descriptions are for the sole purpose of identification, and do not express or imply a warranty that the products are merchantable, or fit for a particular purpose.

INDEMNITY Purchaser acknowledges various warnings by the Company regarding the products and its installation and use. If the Company incurs any claims, lawsuits, settlements, or expenses (including attorney fees) for any loss, injury, death or property damage including, but not limited to, claims arising out of the Purchaser's or any end user's installation or use of the products, the Purchaser shall indemnify and hold the Company harmless.