

Duct Blowers & Filters

Models

**DM &
DMS**



SYMBOL OF
QUALITY

FORM C65E
SECTION 7

DM CONSTRUCTION FEATURES



(Shown with Optional Series F200A Filter Section)



ACME DUCTMASTER™ SINGLE & TWIN DUCT BLOWERS DM SERIES

FOR INDOOR USE ONLY

An all-purpose CABINET BLOWER with a compact optional FILTER SECTION.

Widely used in conjunction with HEATING, COOLING and VENTILATING systems.

An economical, quiet and efficient solution for many air moving requirements.

Available with 7", 9", 10", 12", 15" and 18" blower.



Acme certifies that the DM Series Duct Blower shown hereon is licensed to bear the AMCA Seal. The ratings shown are based on tests and procedures performed in accordance with AMCA Publication 211 and Publication 311 and comply with the requirements of the AMCA Certified Ratings Program.

CONSTRUCTION FEATURES

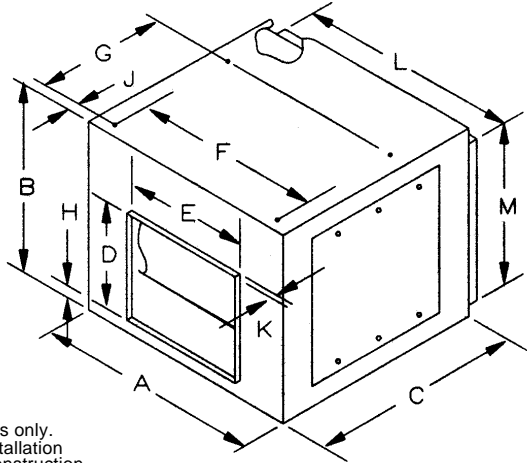
- Blower is equipped with ball bearings which have an operating temperature range of -65° to +250°F.
- 9/16" mounting holes are provided in the top of cabinet for support rods when unit is suspended overhead.
- Hook bolt motor mounting allows 7" through 12" models, single and twin units, to be used in the up-flow, down-flow and horizontal flow discharge positions.
- Heavy duty motor mounting brackets with motor adjusting bolt and rubber bumper is supplied on 15" and 18" models. Suitable for horizontal position only.
- Access panels on both sides allow easy servicing to blower and motor.
- Keywayed shafts are standard on both ends.

- Blower is rubber mounted for quiet operation.
- Twin Duct Blowers are tied together with steel angle runners. Twin blowers are on a common shaft and driven from either end.

OPTIONAL ACCESSORIES

- SERIES HC HOT WATER HEATING COILS attach to blower inlet. Two row aluminum fin copper tube with sloped drain pan for positive condensate removal.
- SERIES CW CHILLED WATER COOLING COILS attach to blower inlet. Four row aluminum fin copper tube with sloped drain pan for positive condensate removal.
- SERIES F200A FILTER SECTIONS are insulated and supplied with 1" framed aluminum mesh filter. All filter racks will accommodate either 1" or 2" filter. Easily removed for servicing through end access panel.

DM DIMENSIONAL DATA

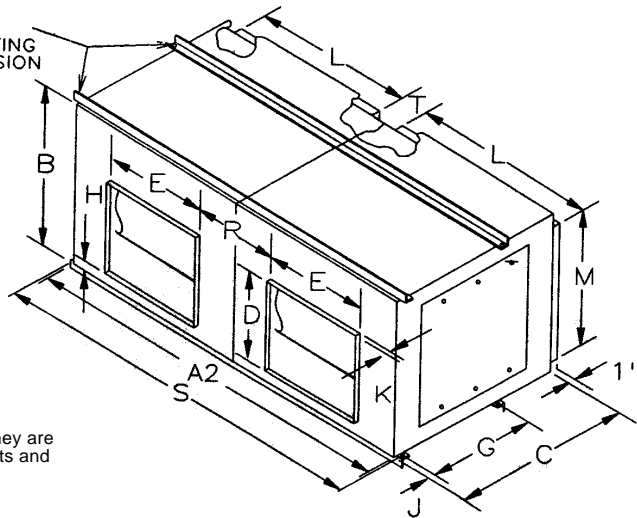


These are typical drawings for dimensional purposes only. They are correct within limits suitable for normal installation requirements and do not necessarily show actual construction.

DUCT BLOWER - SINGLE (in.)													
MODEL	A	B	C	D	E	F	G	H	J	K	L	M	wt. lbs.
DM07	18	15-3/8	23	8-1/4	9-3/16	14-1/2	9-5/8	1-1/4	1-1/4	7/8	15-7/8	13-3/8	46
DM09	21	18	23	10-1/4	11-13/16	17-1/2	11-3/4	1-1/4	1-3/4	7/8	19	16	58
DM10	22-1/4	20	24-3/4	11-3/8	13-1/8	18-3/4	13-3/8	1-1/4	1-1/4	7/8	20-1/4	18	69
DM12	27	23	27-1/2	13-7/16	15-5/8	23-1/2	16-1/8	1-1/4	1-1/4	7/8	25	21	89
DM15	33-1/2	28	32	15-7/8	18-5/8	28	19-1/2	2-5/8	1-1/4	7/8	30-1/2	25	175
DM18	41-1/2	34	44	19-5/8	22-5/8	35	24	2-3/4	1-3/4	1-1/8	35-3/8	31-5/8	205

Note: Weight is less motor and drive.

STRUCTURAL STEEL ANGLE
TWINNING RAIL, TOP AND
BOTTOM WITH 5/8" MOUNTING
HOLES ON "G & S" DIMENSION
CENTRES.



These are typical drawings for dimensional purposes only. They are correct within limits suitable for normal installation requirements and do not necessarily show actual construction.

DUCT BLOWER - TWIN (in.)															
MODEL	A2	B	C	D	E	G	H	J	K	L	M	R	S	T	wt. lbs.
DM-T07	36	15-3/8	23	8-1/4	9-3/16	9-5/8	1-1/4	1-1/4	7/8	15-7/8	13-3/8	8-13/16	38-1/4	2	145
DM-T09	42	18	23	10-1/4	11-13/16	11-3/4	1-1/4	1-3/4	7/8	19	16	9-3/16	44-1/4	2	163
DM-T10	44-1/2	20	24-3/4	11-3/8	13-1/8	13-3/8	1-1/4	1-3/4	7/8	20-1/4	18	9-1/8	46-3/4	2	190
DM-T12	54	23	27-1/2	13-7/16	15-5/8	16-1/8	1-1/4	1-3/4	7/8	25	21	11-3/8	56-1/4	2	240
DM-T15	67	28	32	15-7/8	18-5/8	19-1/2	2-5/8	1-3/4	7/8	30-1/2	25	14-7/8	69-1/4	3	345

Note: Weight is less motor and drive.

PERFORMANCE DATA

MODEL DM07		3/4 HP MAXIMUM 3/4" SHAFT			TIP SPEED = 2.03 x RPM WHEEL DIA = 7.75"																				
CFM	OUTLET VELOCITY FPM	1/8" SP			1/4" SP			1/2" SP			3/4" SP			1" SP			1-1/2" SP			2" SP			2-1/2" SP		
		RPM	BHP	SONES	RPM	BHP	SONES	RPM	BHP	SONES	RPM	BHP	SONES	RPM	BHP	SONES	RPM	BHP	SONES	RPM	BHP	SONES	RPM	BHP	SONES
300	569	526	0.01	1.3	719	0.03	--	1026	0.06	--	1247	0.09	--	1433	0.12	--	1733	0.19	--	1980	0.26	--	2189	0.33	--
400	759	567	0.02	1.8	737	0.04	3.9	1019	0.07	--	1257	0.11	--	1448	0.15	--	1761	0.24	--	2020	0.33	--	2242	0.42	--
500	949	636	0.04	3.1	770	0.05	4.2	1027	0.09	9.3	1246	0.13	--	1450	0.18	--	1775	0.28	--	2038	0.39	--	2271	0.50	--
600	1139	719	0.06	4.3	822	0.07	6.2	1051	0.12	10.1	1255	0.16	11.8	1437	0.20	--	1777	0.32	--	2051	0.45	--	2286	0.58	--
700	1329	806	0.08	6.4	894	0.10	8.7	1086	0.15	10.8	1278	0.20	12.5	1451	0.24	14.3	1763	0.35	22	2052	0.50	--	2295	0.65	--
800	1519	894	0.12	8.6	975	0.14	10.1	1134	0.18	11.7	1308	0.24	12.9	1473	0.30	15.7	1768	0.41	23	2038	0.54	--	2292	0.71	--
900	1709	983	0.16	10.8	1062	0.19	12.1	1198	0.23	12.9	1350	0.29	13.8	1503	0.36	20.7	1785	0.48	24	2038	0.61	--	--	--	--
1000	1899	1073	0.21	12.6	1149	0.24	13.3	1272	0.29	14.7	1400	0.35	15.1	1540	0.43	17.6	1809	0.57	26	2053	0.70	--	--	--	--
1100	2089	1165	0.27	14.1	1236	0.31	14.8	1352	0.37	15.6	1465	0.43	17.7	1588	0.50	19.8	1840	0.66	29	--	--	--	--	--	--
1200	2279	1257	0.35	15.8	1325	0.39	16.5	1438	0.46	17.6	1539	0.52	23	1644	0.58	23	--	--	--	--	--	--	--	--	--
1300	2469	1351	0.43	17.9	1414	0.48	18.5	1526	0.56	21	1618	0.62	37	1713	0.69	27	--	--	--	--	--	--	--	--	--
1400	2659	1445	0.53	22	1505	0.59	22	1613	0.67	24	1701	0.74	26	--	--	--	--	--	--	--	--	--	--	--	--

MODEL DM-T07		1-1/2 HP MAXIMUM 3/4" SHAFT			TIP SPEED EQUALS = 2.03 x RPM WHEEL DIA. = 7.75"																				
CFM	OUTLET VELOCITY FPM	1/8" SP			1/4" SP			1/2" SP			3/4" SP			1" SP			1-1/2" SP			2" SP			2-1/2" SP		
		RPM	BHP	SONES	RPM	BHP	SONES	RPM	BHP	SONES	RPM	BHP	SONES	RPM	BHP	SONES	RPM	BHP	SONES	RPM	BHP	SONES	RPM	BHP	SONES
600	569	526	0.03	1.9	719	0.05	3.8	1026	0.11	11.1	1247	0.18	--	1433	0.24	--	1733	0.38	--	1980	0.51	--	2189	0.67	--
800	759	567	0.05	2.5	737	0.07	4.9	1019	0.14	10.8	1257	0.22	14.1	1448	0.30	16.8	1761	0.48	27	2020	0.65	--	2242	0.83	--
1000	949	636	0.07	3.9	770	0.11	5.3	1027	0.18	11.2	1246	0.25	13.7	1450	0.36	17.0	1775	0.57	28	2038	0.79	--	2271	1.00	--
1200	1139	719	0.11	5.3	822	0.15	7.6	1051	0.23	12.1	1255	0.31	14.0	1437	0.40	16.3	1777	0.64	28	2051	0.90	--	2286	1.16	--
1400	1329	806	0.17	7.9	894	0.20	10.5	1086	0.30	12.9	1278	0.39	15.0	1451	0.49	17.1	1763	0.71	27	2052	1.00	--	2295	1.29	--
1600	1519	894	0.24	10.6	975	0.28	12.1	1134	0.37	14.0	1308	0.49	15.4	1473	0.60	18.8	1768	0.82	28	2038	1.08	--	2292	1.42	--
1800	1709	983	0.32	13.0	1062	0.37	14.5	1198	0.47	15.5	1350	0.59	16.5	1503	0.72	25	1785	0.97	29	2038	1.22	--	--	--	--
2000	1899	1073	0.43	15.1	1149	0.49	16.0	1272	0.59	17.6	1400	0.70	18.1	1540	0.85	21	1809	1.13	32	2053	1.40	--	--	--	--
2200	2089	1165	0.55	16.8	1236	0.63	17.7	1352	0.74	18.7	1465	0.85	21	1588	1.00	24	1840	1.32	35	--	--	--	--	--	--
2400	2279	1257	0.70	18.9	1325	0.79	19.7	1438	0.91	21	1539	1.03	28	1644	1.17	28	--	--	--	--	--	--	--	--	--
2600	2469	1351	0.87	21	1414	0.97	22	1526	1.12	25	1618	1.24	--	1713	1.38	33	--	--	--	--	--	--	--	--	--
2800	2659	1445	1.07	26	1505	1.17	27	1613	1.35	29	1701	1.49	--	--	--	--	--	--	--	--	--	--	--	--	--

MODEL DM09		3/4 HP MAXIMUM 3/4" SHAFT			TIP SPEED = 2.65 x RPM WHEEL DIA. = 10.13"																				
CFM	OUTLET VELOCITY FPM	1/8" SP			1/4" SP			1/2" SP			3/4" SP			1" SP			1-1/2" SP			2" SP			2-1/2" SP		
		RPM	BHP	SONES	RPM	BHP	SONES	RPM	BHP	SONES	RPM	BHP	SONES	RPM	BHP	SONES	RPM	BHP	SONES	RPM	BHP	SONES	RPM	BHP	SONES
600	713	417	0.03	1.6	557	0.05	2.2	798	0.10	5.7	977	0.15	8.5	1120	0.21	10.8	1353	0.33	--	1548	0.45	--	1717	0.59	--
700	832	440	0.04	1.3	566	0.06	2.5	791	0.11	5.4	979	0.17	8.6	1128	0.23	11.1	1367	0.37	--	1564	0.50	--	1736	0.65	--
800	951	468	0.06	1.8	581	0.07	3.8	786	0.12	5.2	974	0.19	8.4	1130	0.26	11.2	1379	0.41	15.8	1578	0.56	--	1751	0.72	--
900	1070	499	0.07	2.2	601	0.10	3.1	792	0.14	5.5	964	0.21	8.1	1126	0.28	11.0	1384	0.45	16.2	1590	0.61	19.7	--	--	--
1000	1189	534	0.09	2.7	625	0.12	4.1	802	0.17	5.8	964	0.23	8.1	1118	0.31	10.7	1384	0.48	16.2	1596	0.67	20	--	--	--
1100	1308	573	0.12	3.4	653	0.15	6.9	816	0.20	6.7	970	0.27	8.3	1112	0.34	10.5	1379	0.52	15.8	1598	0.72	20	--	--	--
1200	1427	613	0.15	4.5	682	0.18	10.3	834	0.24	8.0	979	0.30	8.6	1115	0.38	10.6	1371	0.56	15.3	--	--	--	--	--	--
1300	1546	654	0.19	6.1	714	0.22	5.2	856	0.28	7.0	992	0.35	8.9	1122	0.42	10.9	1362	0.60	14.8	--	--	--	--	--	--
1400	1665	696	0.23	7.0	750	0.26	5.9	881	0.33	7.6	1009	0.40	9.4	1132	0.48	11.3	1362	0.65	14.8	--	--	--	--	--	--
1500	1783	739	0.28	7.7	788	0.31	6.7	907	0.38	8.2	1028	0.46	10.1	1145	0.53	11.9	1367	0.71	15.1	--	--	--	--	--	--
1600	1902	782	0.34	8.3	828	0.37	7.5	936	0.44	8.9	1050	0.52	10.4	1162	0.60	13.6	--	--	--	--	--	--	--	--	--
1700	2021	826	0.40	8.8	868	0.43	8.3	966	0.51	9.6	1075	0.59	11.1	1181	0.68	17.5	--	--	--	--	--	--	--	--	--

Performance shown is for installation Type B - Free inlet, Ducted outlet, without filter section. Power rating (BHP) does not include drive losses. Performance ratings do not include the effects of appurtenances in the airstream. The sound ratings shown are loudness values in fan sones at 5 ft. (1.5m) in a hemispherical free field calculated per AMCA Standard 301. Values shown are for Installation Type B: free inlet fan sone levels. Sone values not documented in unlisted areas. Twin unit data is derived from tests of single width fans.

SI CONVERSION FACTOR
CFM x .472 = L/s SP x .249 = kPa

PERFORMANCE DATA

MODEL DM-T09		1-1/2 HP MAXIMUM 3/4" SHAFT						TIP SPEED = 2.65 x RPM WHEEL DIA. = 10.13"																		
CFM	OUTLET VELOCITY FPM	1/8" SP			1/4" SP			1/2" SP			3/4" SP			1" SP			1-1/2" SP			2" SP			2-1/2" SP			
		RPM	BHP	SONES	RPM	BHP	SONES	RPM	BHP	SONES	RPM	BHP	SONES	RPM	BHP	SONES	RPM	BHP	SONES	RPM	BHP	SONES	RPM	BHP	SONES	RPM
1200	713	417	0.06	2.3	557	0.09	2.9	798	0.19	6.8	977	0.30	10.3	1120	0.41	13.0	1353	0.65	--	1548	0.90	--	1717	1.17	--	
1400	832	440	0.08	1.8	566	0.12	3.0	791	0.22	6.6	979	0.34	10.3	1128	0.47	13.4	1367	0.73	--	1564	1.01	--	1736	1.30	--	
1600	951	468	0.11	2.4	581	0.15	3.8	786	0.25	6.4	974	0.37	10.2	1130	0.52	13.5	1379	0.81	18.9	1578	1.12	--	1751	1.43	--	
1800	1070	499	0.14	2.9	601	0.19	3.9	792	0.29	6.6	964	0.41	9.8	1126	0.56	13.3	1384	0.89	19.3	1590	1.23	24	--	--	--	
2000	1189	534	0.19	3.5	625	0.24	5.0	802	0.34	7.0	964	0.47	9.8	1118	0.62	12.9	1384	0.97	19.3	1596	1.33	24	--	--	--	
2200	1308	573	0.24	4.3	653	0.29	8.5	816	0.40	8.1	970	0.53	10.0	1112	0.68	12.6	1379	1.03	18.9	1598	1.44	24	--	--	--	
2400	1427	613	0.30	5.6	682	0.36	12.4	834	0.48	9.7	979	0.61	10.3	1115	0.76	12.7	1371	1.11	18.3	--	--	--	--	--	--	
2600	1546	654	0.38	7.4	714	0.43	6.3	856	0.56	8.4	992	0.69	10.8	1122	0.85	13.1	1362	1.20	17.7	--	--	--	--	--	--	
2800	1665	696	0.46	8.4	750	0.52	7.1	881	0.66	9.2	1009	0.80	11.4	1132	0.95	13.6	1362	1.31	17.8	--	--	--	--	--	--	
3000	1783	739	0.56	9.4	788	0.62	8.1	907	0.77	9.9	1028	0.92	12.1	1145	1.06	14.4	1367	1.43	18.1	--	--	--	--	--	--	
3200	1902	782	0.67	10.1	828	0.73	9.0	936	0.88	10.8	1050	1.05	12.5	1162	1.20	16.3	--	--	--	--	--	--	--	--	--	
3400	2021	826	0.80	10.6	868	0.86	10.0	966	1.02	11.5	1075	1.19	13.5	1181	1.36	21	--	--	--	--	--	--	--	--	--	

MODEL DM10		1-1/2 HP MAXIMUM 3/4" SHAFT						TIP SPEED = 2.99 x RPM WHEEL DIA. = 11.44"																		
CFM	OUTLET VELOCITY FPM	1/8" SP			1/4" SP			1/2" SP			3/4" SP			1" SP			1-1/2" SP			2" SP			2-1/2" SP			
		RPM	BHP	SONES	RPM	BHP	SONES	RPM	BHP	SONES	RPM	BHP	SONES	RPM	BHP	SONES	RPM	BHP	SONES	RPM	BHP	SONES	RPM	BHP	SONES	RPM
800	771	388	0.04	2.0	511	0.07	3.1	709	0.12	5.9	861	0.18	8.8	987	0.25	--	1196	0.41	--	1371	0.58	--	1524	0.76	--	
900	868	403	0.05	2.5	520	0.08	3.7	712	0.14	6.0	866	0.21	9.0	993	0.27	11.8	1204	0.44	--	1380	0.62	--	1533	0.81	--	
1000	964	422	0.06	2.4	531	0.09	4.6	713	0.15	6.1	869	0.23	9.1	998	0.31	12.0	1210	0.47	--	1387	0.66	--	1542	0.87	--	
1100	1060	445	0.08	3.0	544	0.11	6.0	719	0.18	6.3	872	0.26	9.2	1002	0.34	12.2	1216	0.50	16.7	1394	0.70	--	1550	0.92	--	
1200	1157	470	0.10	3.8	559	0.13	8.7	728	0.20	6.8	873	0.28	9.3	1005	0.37	12.4	1221	0.55	17.0	1400	0.74	21	1557	0.97	--	
1300	1253	497	0.12	5.4	575	0.15	4.6	738	0.23	7.2	878	0.31	9.5	1007	0.40	12.5	1225	0.61	17.2	1405	0.79	21	1563	1.02	--	
1400	1350	525	0.15	4.9	593	0.18	5.3	749	0.26	7.8	886	0.34	9.9	1009	0.43	12.6	1229	0.65	17.4	1410	0.86	21	1568	1.07	25	
1500	1446	553	0.18	5.6	616	0.21	6.5	762	0.29	8.4	895	0.38	10.3	1013	0.47	12.8	1232	0.70	17.6	1415	0.93	22	1573	1.14	26	
1600	1543	582	0.22	6.7	640	0.25	8.0	776	0.33	9.0	905	0.42	10.8	1021	0.52	13.2	1234	0.74	17.7	1419	1.00	22	1578	1.23	26	
1700	1639	612	0.25	7.8	666	0.29	9.6	791	0.37	9.6	916	0.46	11.3	1030	0.57	13.7	1235	0.79	17.8	1422	1.06	22	1583	1.32	27	
1800	1736	642	0.29	8.8	693	0.33	11.0	807	0.41	10.2	928	0.51	11.9	1040	0.62	14.3	1239	0.84	18.0	1424	1.12	22	1587	1.40	27	
1900	1832	672	0.34	9.7	720	0.38	12.1	824	0.46	10.4	942	0.56	12.6	1051	0.68	14.9	1246	0.91	18.4	1426	1.17	22	1590	1.48	27	

MODEL DM-T10		1-1/2 HP MAXIMUM 3/4" SHAFT						TIP SPEED = 2.99 x RPM WHEEL DIA. = 11.44"																		
CFM	OUTLET VELOCITY FPM	1/8" SP			1/4" SP			1/2" SP			3/4" SP			1" SP			1-1/2" SP			2" SP			2-1/2" SP			
		RPM	BHP	SONES	RPM	BHP	SONES	RPM	BHP	SONES	RPM	BHP	SONES	RPM	BHP	SONES	RPM	BHP	SONES	RPM	BHP	SONES	RPM	BHP	SONES	RPM
1600	771	388	0.08	2.7	511	0.13	3.9	709	0.25	7.2	861	0.36	10.7	987	0.51	--	1196	0.82	--	1371	1.16	--	--	--	--	
1800	868	403	0.10	3.2	520	0.16	4.6	712	0.28	7.3	886	0.42	11.0	993	0.55	14.3	1204	0.88	--	1380	1.24	--	--	--	--	
2000	964	422	0.13	3.1	531	0.18	5.6	713	0.31	7.4	869	0.47	11.1	998	0.61	14.5	1210	0.94	--	1387	1.32	--	--	--	--	
2200	1060	445	0.16	3.7	544	0.22	7.3	719	0.35	7.7	872	0.51	11.3	1002	0.69	14.8	1216	1.00	20	1394	1.40	--	--	--	--	
2400	1157	470	0.20	4.7	559	0.26	10.6	728	0.40	8.2	873	0.55	11.4	1005	0.75	15.0	1221	1.10	20	1400	1.49	--	--	--	--	
2600	1253	497	0.25	6.6	575	0.30	5.7	738	0.45	8.8	878	0.61	11.7	1007	0.80	15.1	1225	1.21	21	--	--	--	--	--	--	
2800	1350	525	0.30	6.0	593	0.35	6.5	749	0.51	9.4	886	0.69	12.1	1009	0.86	15.2	1229	1.31	21	--	--	--	--	--	--	
3000	1446	553	0.36	6.8	616	0.42	7.9	762	0.58	10.1	895	0.76	12.6	1013	0.95	15.4	1232	1.40	21	--	--	--	--	--	--	
3200	1543	582	0.43	8.0	640	0.49	9.7	776	0.65	10.9	905	0.84	13.1	1021	1.04	15.8	1234	1.48	21	--	--	--	--	--	--	
3400	1639	612	0.51	9.3	666	0.57	11.5	791	0.73	11.6	916	0.93	13.7	1030	1.14	16.4	--	--	--	--	--	--	--	--	--	
3600	1736	642	0.59	10.6	693	0.66	13.3	807	0.82	12.4	928	1.02	14.4	1040	1.25	17.0	--	--	--	--	--	--	--	--	--	
3800	1832	672	0.68	11.7	720	0.77	14.5	824	0.91	12.7	942	1.13	15.2	1051	1.35	17.8	--	--	--	--	--	--	--	--	--	

Performance shown is for installation Type B - Free inlet, Ducted outlet, without filter section. Power rating (BHP) does not include drive losses. Performance ratings do not include the effects of appurtenances in the airstream. The sound ratings shown are loudness values in fan sones at 5 ft. (1.5m) in a hemispherical free field calculated per AMCA Standard 301. Values shown are for Installation Type B: free inlet fan sone levels. Sone values not documented in unlisted areas. Twin unit data is derived from tests of single width fans.

SI CONVERSION FACTOR
CFM x .472 = L/s SP x .249 = kPa

PERFORMANCE DATA

MODEL DM12			1-1/2 HP MAXIMUM 3/4" SHAFT			TIP SPEED = 3.27 x RPM WHEEL DIA. = 12.50"																			
CFM	OUTLET VELOCITY FPM	1/8" SP			1/4" SP			1/2" SP			3/4" SP			1" SP			1-1/2" SP			2" SP			2-1/2" SP		
		RPM	BHP	SONES	RPM	BHP	SONES	RPM	BHP	SONES	RPM	BHP	SONES	RPM	BHP	SONES	RPM	BHP	SONES	RPM	BHP	SONES	RPM	BHP	SONES
1200	823	367	0.07	2.0	470	0.10	3.4	639	0.17	--	783	0.27	--	904	0.37	--	1098	0.57	--	1255	0.78	--	1390	1.02	--
1400	960	393	0.09	2.8	487	0.13	4.0	646	0.21	--	783	0.31	--	904	0.42	--	1106	0.65	--	1268	0.89	--	1407	1.13	--
1600	1097	423	0.12	4.1	507	0.17	5.0	658	0.26	10.8	786	0.35	--	905	0.47	--	1106	0.72	--	1276	0.99	--	1420	1.27	--
1800	1234	455	0.16	6.2	532	0.21	6.4	673	0.31	9.3	796	0.41	10.5	906	0.53	--	1108	0.80	--	1278	1.08	--	1427	1.39	--
2000	1371	489	0.21	5.1	559	0.26	7.7	690	0.37	9.9	809	0.49	10.4	915	0.61	--	1108	0.88	--	1279	1.19	--	--	--	--
2200	1508	524	0.27	6.0	588	0.33	9.0	711	0.44	10.6	824	0.57	11.0	927	0.69	13.5	1109	0.97	--	1279	1.29	--	--	--	--
2400	1646	562	0.35	7.3	620	0.40	10.0	734	0.53	11.4	840	0.66	11.7	941	0.79	14.0	1118	1.08	--	1278	1.40	--	--	--	--
2600	1783	601	0.43	8.4	653	0.49	10.7	759	0.62	12.3	860	0.76	12.6	956	0.90	14.6	1129	1.21	--	--	--	--	--	--	--
2800	1920	640	0.53	9.3	687	0.59	9.8	786	0.73	13.1	882	0.88	13.5	973	1.03	15.2	1142	1.35	18.3	--	--	--	--	--	--
3000	2057	680	0.65	10.3	722	0.70	11.0	815	0.85	14.0	906	1.01	14.6	993	1.17	16.0	--	--	--	--	--	--	--	--	--
3200	2194	721	0.78	11.5	758	0.83	12.3	846	0.99	15.0	932	1.16	16.1	1015	1.33	17.1	--	--	--	--	--	--	--	--	--
3400	2331	762	0.92	12.9	796	0.98	13.4	877	1.14	16.0	959	1.32	18.4	1039	1.50	19.1	--	--	--	--	--	--	--	--	--

MODEL DM-T12			1-1/2 HP MAXIMUM 3/4" SHAFT			TIP SPEED = 3.27 x RPM WHEEL DIA. = 12.50"																			
CFM	OUTLET VELOCITY FPM	1/8" SP			1/4" SP			1/2" SP			3/4" SP			1" SP			1-1/2" SP			2" SP			2-1/2" SP		
		RPM	BHP	SONES	RPM	BHP	SONES	RPM	BHP	SONES	RPM	BHP	SONES	RPM	BHP	SONES	RPM	BHP	SONES	RPM	BHP	SONES	RPM	BHP	SONES
2400	823	367	0.13	2.7	470	0.20	4.2	639	0.35	--	783	0.54	--	904	0.73	--	1098	1.15	--	--	--	--	--	--	--
2800	960	393	0.18	3.5	487	0.26	5.0	646	0.42	--	783	0.61	--	904	0.83	--	1106	1.30	--	--	--	--	--	--	--
3200	1097	423	0.25	5.0	507	0.33	6.2	658	0.51	8.0	786	0.71	--	905	0.94	--	1106	1.43	--	--	--	--	--	--	--
3600	1234	455	0.33	7.5	532	0.42	7.8	673	0.62	8.7	796	0.83	12.7	906	1.06	--	--	--	--	--	--	--	--	--	--
4000	1371	489	0.43	6.2	559	0.53	9.4	690	0.74	9.5	809	0.97	12.6	915	1.21	--	--	--	--	--	--	--	--	--	--
4400	1508	524	0.54	7.3	588	0.65	10.7	711	0.89	10.4	824	1.13	13.4	927	1.38	16.1	--	--	--	--	--	--	--	--	--
4800	1646	562	0.69	8.7	620	0.80	12.0	734	1.06	11.5	840	1.31	14.2	--	--	--	--	--	--	--	--	--	--	--	--
5200	1783	601	0.86	10.1	653	0.98	12.9	759	1.25	12.6	--	--	--	--	--	--	--	--	--	--	--	--	--	--	--
5600	1920	640	1.06	11.3	687	1.18	12.0	786	1.46	13.9	--	--	--	--	--	--	--	--	--	--	--	--	--	--	--
6000	2057	680	1.29	12.6	722	1.40	13.4	--	--	--	--	--	--	--	--	--	--	--	--	--	--	--	--	--	--

MODEL DM15			3 HP MAXIMUM 1" SHAFT			TIP SPEED = 3.99 x RPM WHEEL DIA. = 15.25"																			
CFM	OUTLET VELOCITY FPM	1/8" SP			1/4" SP			1/2" SP			3/4" SP			1" SP			1-1/2" SP			2" SP			2-1/2" SP		
		RPM	BHP	SONES	RPM	BHP	SONES	RPM	BHP	SONES	RPM	BHP	SONES	RPM	BHP	SONES	RPM	BHP	SONES	RPM	BHP	SONES	RPM	BHP	SONES
1800	876	273	0.10	2.7	370	0.18	4.8	510	0.29	8.8	617	0.42	11.3	705	0.57	14.1	850	0.88	18.3	969	1.20	21	1071	1.52	24
1900	925	278	0.11	3.4	373	0.19	5.0	510	0.32	9.0	620	0.44	11.5	708	0.60	14.3	854	0.93	18.6	974	1.26	22	1077	1.59	25
2000	974	284	0.12	4.2	375	0.20	4.5	510	0.35	9.0	622	0.47	11.7	711	0.62	14.6	857	0.97	19.0	978	1.32	22	1083	1.67	25
2100	1022	290	0.14	2.9	375	0.21	4.6	510	0.38	9.0	623	0.50	11.8	714	0.65	14.9	860	1.01	19.3	982	1.37	22	1088	1.74	26
2200	1071	297	0.15	3.5	376	0.22	4.6	511	0.41	9.2	624	0.54	11.9	716	0.68	15.1	863	1.05	19.7	986	1.43	23	1092	1.81	27
2300	1120	305	0.17	4.2	378	0.23	4.7	514	0.44	10.0	624	0.58	11.9	718	0.72	15.3	866	1.09	20	989	1.48	23	1096	1.89	27
2400	1168	314	0.19	4.8	381	0.25	4.8	517	0.46	10.8	624	0.62	12.0	720	0.76	15.5	869	1.13	20	992	1.54	24	1100	1.96	27
2500	1217	323	0.21	5.5	385	0.27	5.1	521	0.49	12.0	624	0.67	12.0	721	0.81	15.5	872	1.17	21	995	1.59	24	1104	2.02	28
2600	1266	332	0.23	4.6	389	0.29	5.3	525	0.51	13.3	625	0.71	12.1	721	0.86	15.5	875	1.21	21	999	1.64	25	1107	2.09	29
2700	1314	342	0.26	5.1	394	0.32	5.6	528	0.54	14.3	626	0.76	12.2	721	0.92	15.5	877	1.26	22	1002	1.69	25	1110	2.16	29
2800	1363	352	0.29	5.6	400	0.34	5.9	530	0.56	9.0	629	0.80	12.6	721	0.98	15.5	879	1.31	22	1005	1.75	25	1113	2.22	29
2900	1412	363	0.31	6.0	406	0.37	6.2	531	0.58	9.1	632	0.84	13.0	721	1.04	15.5	881	1.37	23	1007	1.81	26	1116	2.29	29
3000	1461	373	0.35	6.4	413	0.40	6.5	531	0.60	9.2	636	0.87	13.8	722	1.09	15.6	882	1.44	23	1010	1.87	26	1119	2.36	30
3100	1509	384	0.38	6.7	420	0.43	7.1	532	0.62	9.2	640	0.91	14.5	723	1.15	15.8	883	1.51	23	1012	1.93	27	1122	2.42	30
3200	1558	394	0.42	7.0	427	0.46	8.8	533	0.65	9.3	643	0.95	15.0	725	1.21	15.9	883	1.59	23	1015	2.00	27	1125	2.49	31
3300	1607	405	0.45	7.2	436	0.50	10.3	536	0.68	9.5	646	0.98	15.6	728	1.26	16.2	883	1.68	23	1016	2.07	27	1128	2.57	32
3400	1655	416	0.49	7.4	445	0.54	12.0	539	0.71	9.7	649	1.01	13.6	732	1.31	16.6	883	1.77	23	1018	2.16	28	1130	2.64	32
3500	1704	427	0.54	7.8	454	0.58	14.1	543	0.75	10.0	650	1.04	13.7	736	1.36	16.9	883	1.86	23	1019	2.25	28	1133	2.73	32
3600	1753	437	0.58	8.3	463	0.62	16.4	547	0.80	10.7	651	1.08	13.8	740	1.41	17.3	883	1.94	23	1019	2.35	28	1135	2.81	32
3700	1801	448	0.63	8.8	473	0.67	9.4	552	0.84	11.6	651	1.10	13.8	743	1.46	17.5	884	2.03	24	1020	2.46	28	1137	2.91	33
3800	1850	459	0.68	9.4	483	0.72	10.0	557	0.89	12.5	652	1.14	13.9	746	1.51	17.8	886	2.12	25	1020	2.57	28	--	--	--
3900	1899	470	0.73	9.9	493	0.78	10.8	562	0.94	13.6	653	1.18	13.9	749	1.55	17.6	888	2.20	26	1020	2.69	28	--	--	--
4000	1948	481	0.79	10.5	503	0.83	11.9	568	0.99	14.9	655	1.23	14.1	750	1.59	17.7	891	2.29	27	1020	2.81	28	--	--	--
4100	1996	492	0.85	11.1	513	0.89	13.1	574	1.04	16.1	658	1.28	14.3	751	1.63	17.8	894	2.36	29	1020	2.93	28	--	--	--
4200	2045	503	0.91	11.7	523	0.95	14.2	581	1.10	12.5	661	1.33	14.5	751	1.67	17.8	898	2.44	32	--	--	--	--	--	--
4300	2094	514	0.97	12.4	534	1.02	15.4	588	1.16	13.1	665	1.39	14.9	752	1.71	17.8	902	2.52	35	--	--	--	--	--	--
4400	2142	526	1.04	12.9	544	1.09	16.6	595	1.22	13.8	670	1.46	15.8	753	1.76	17.9	906	2.59	39	--	--	--	--	--	--

Performance shown is for installation Type B - Free inlet, Ducted outlet, without filter section. Power rating (BHP) does not include drive losses. Performance ratings do not include the effects of appurtenances in the airstream. The sound ratings shown are loudness values in fan sones at 5 ft. (1.5m) in a hemispherical free field calculated per AMCA Standard 301. Values shown are for Installation Type B: free inlet fan sone levels. Some values not documented in unlisted areas. Twin unit data is derived from tests of single width fans.

SI CONVERSION FACTOR
CFM x .472 = L/s SP x .249 = kPa

PERFORMANCE DATA

MODEL DM-T15			3 HP MAXIMUM 1" SHAFT			TIP SPEED = 3.99 x RPM WHEEL DIA. = 15.25"			1" SP			1-1/2" SP			2"			2-1/2" SP													
CFM	OUTLET VELOCITY FPM	1/8" SP			1/4" SP			1/2" SP			3/4" SP			1" SP			1-1/2" SP			2"			2-1/2" SP								
		RPM	BHP	SONES	RPM	BHP	SONES	RPM	BHP	SONES	RPM	BHP	SONES	RPM	BHP	SONES	RPM	BHP	SONES	RPM	BHP	SONES	RPM	BHP	SONES	RPM	BHP	SONES	RPM	BHP	SONES
3600	876	273	0.20	3.5	370	0.35	5.8	510	0.59	10.2	617	0.84	13.2	705	1.14	16.2	850	1.77	20	969	2.40	24	--	--	--	--	--	--	--	--	--
3800	925	278	0.22	4.2	373	0.38	6.0	510	0.64	10.5	620	0.89	13.6	708	1.19	16.5	854	1.85	21	974	2.52	24	--	--	--	--	--	--	--	--	--
4000	974	284	0.25	5.0	375	0.40	5.6	510	0.70	10.5	622	0.94	13.8	711	1.25	16.8	857	1.93	21	978	2.63	25	--	--	--	--	--	--	--	--	--
4200	1022	290	0.28	3.8	375	0.42	5.7	510	0.76	10.5	623	1.00	13.9	714	1.31	17.1	860	2.01	22	982	2.75	25	--	--	--	--	--	--	--	--	--
4400	1071	297	0.31	4.5	376	0.44	5.7	511	0.82	10.8	624	1.07	14.0	716	1.37	17.3	863	2.09	22	986	2.86	26	--	--	--	--	--	--	--	--	--
4600	1120	305	0.34	5.2	378	0.47	5.8	514	0.87	11.5	624	1.16	14.0	718	1.44	17.5	866	2.17	22	989	2.96	26	--	--	--	--	--	--	--	--	--
4800	1168	314	0.38	5.8	381	0.50	6.0	517	0.93	12.4	624	1.24	14.0	720	1.52	17.7	869	2.25	23	--	--	--	--	--	--	--	--	--	--	--	--
5000	1217	323	0.42	6.5	385	0.54	6.2	521	0.98	13.6	624	1.33	14.0	721	1.61	17.8	872	2.33	23	--	--	--	--	--	--	--	--	--	--	--	--
5200	1266	333	0.47	5.8	389	0.59	6.5	525	1.03	14.8	625	1.42	14.1	721	1.72	17.8	875	2.42	24	--	--	--	--	--	--	--	--	--	--	--	--
5400	1314	342	0.52	6.3	394	0.63	6.8	528	1.07	15.8	626	1.51	14.2	721	1.83	17.8	877	2.52	24	--	--	--	--	--	--	--	--	--	--	--	--
5600	1363	352	0.57	6.8	400	0.68	7.1	530	1.11	10.8	629	1.59	14.6	721	1.95	17.8	879	2.63	25	--	--	--	--	--	--	--	--	--	--	--	--
5800	1412	363	0.63	7.3	406	0.74	7.5	531	1.15	10.9	632	1.67	15.2	721	2.07	17.8	881	2.75	26	--	--	--	--	--	--	--	--	--	--	--	--
6000	1461	373	0.69	7.7	413	0.80	7.8	531	1.19	11.0	636	1.75	15.9	722	2.19	18.0	882	2.88	26	--	--	--	--	--	--	--	--	--	--	--	--
6200	1509	384	0.76	8.1	420	0.86	8.5	532	1.24	11.0	640	1.82	16.6	723	2.30	18.0	--	--	--	--	--	--	--	--	--	--	--	--	--	--	--
6400	1558	394	0.83	8.4	428	0.93	10.2	533	1.29	11.1	643	1.89	17.1	725	2.42	18.2	--	--	--	--	--	--	--	--	--	--	--	--	--	--	--
6600	1607	405	0.91	8.7	436	1.00	11.8	536	1.36	11.4	647	1.96	17.8	728	2.52	18.5	--	--	--	--	--	--	--	--	--	--	--	--	--	--	--
6800	1655	416	0.99	9.0	445	1.08	13.5	539	1.43	11.7	649	2.03	15.8	732	2.63	18.9	--	--	--	--	--	--	--	--	--	--	--	--	--	--	--
7000	1704	427	1.07	9.5	454	1.16	15.5	543	1.51	12.0	650	2.09	15.9	736	2.73	19.3	--	--	--	--	--	--	--	--	--	--	--	--	--	--	--
7200	1753	437	1.16	10.0	463	1.25	17.8	547	1.59	12.6	650	2.15	16.0	740	2.83	19.7	--	--	--	--	--	--	--	--	--	--	--	--	--	--	--
7400	1801	448	1.26	10.5	473	1.34	11.4	552	1.68	13.5	651	2.21	16.0	743	2.92	20	--	--	--	--	--	--	--	--	--	--	--	--	--	--	--
7600	1850	459	1.36	11.1	483	1.44	12.0	557	1.78	14.5	652	2.28	16.1	--	--	--	--	--	--	--	--	--	--	--	--	--	--	--	--	--	--
7800	1899	470	1.47	11.8	493	1.55	12.8	562	1.88	15.6	653	2.36	16.2	--	--	--	--	--	--	--	--	--	--	--	--	--	--	--	--	--	--
8000	1948	481	1.58	12.4	503	1.66	13.9	568	1.98	17.0	655	2.45	16.3	--	--	--	--	--	--	--	--	--	--	--	--	--	--	--	--	--	--
8200	1996	492	1.69	13.1	513	1.78	15.1	574	2.09	18.1	658	2.55	16.5	--	--	--	--	--	--	--	--	--	--	--	--	--	--	--	--	--	--
8400	2045	503	1.82	13.7	523	1.90	16.3	581	2.20	14.9	661	2.66	16.8	--	--	--	--	--	--	--	--	--	--	--	--	--	--	--	--	--	--
8600	2094	514	1.95	14.4	534	2.03	17.5	588	2.32	15.5	665	2.78	17.2	--	--	--	--	--	--	--	--	--	--	--	--	--	--	--	--	--	--
8800	2142	526	2.08	15.0	544	2.17	19.0	595	2.45	16.1	670	2.91	17.6	--	--	--	--	--	--	--	--	--	--	--	--	--	--	--	--	--	--

MODEL DM18			5 HP MAXIMUM 1" SHAFT			TIP SPEED = 4.76 x RPM WHEEL DIA. = 18.19"			1" SP			1-1/2" SP			2" SP			2-1/2" SP													
CFM	OUTLET VELOCITY FPM	1/8" SP			1/4" SP			1/2" SP			3/4" SP			1" SP			1-1/2" SP			2" SP			2-1/2" SP								
		RPM	BHP	SONES	RPM	BHP	SONES	RPM	BHP	SONES	RPM	BHP	SONES	RPM	BHP	SONES	RPM	BHP	SONES	RPM	BHP	SONES	RPM	BHP	SONES	RPM	BHP	SONES	RPM	BHP	SONES
3000	972	255	0.20	3.0	321	0.29	6.3	429	0.47	--	533	0.72	--	615	0.97	--	748	1.50	--	860	2.06	--	957	2.68	--	--	--	--	--	--	--
3200	1037	264	0.23	3.7	325	0.33	7.6	428	0.51	--	531	0.77	--	616	1.03	--	750	1.59	--	861	2.16	--	959	2.79	--	--	--	--	--	--	--
3400	1102	273	0.27	4.8	330	0.36	5.0	432	0.56	--	529	0.82	--	615	1.10	--	751	1.67	--	863	2.27	--	961	2.91	--	--	--	--	--	--	--
3600	1167	282	0.31	6.5	336	0.41	5.4	437	0.61	--	526	0.86	--	614	1.16	--	753	1.76	--	865	2.39	--	963	3.03	--	--	--	--	--	--	--
3800	1232	292	0.35	8.9	343	0.45	6.0	442	0.67	8.0	523	0.89	--	613	1.22	--	754	1.84	--	867	2.50	--	965	3.17	--	--	--	--	--	--	--
4000	1297	302	0.40	10.1	351	0.50	6.6	448	0.74	8.6	526	0.97	--	610	1.28	--	754	1.93	--	868	2.62	--	967	3.32	--	--	--	--	--	--	--
4200	1362	312	0.45	11.0	359	0.56	7.2	452	0.81	9.1	530	1.04	--	607	1.33	--	754	2.03	--	869	2.73	--	969	3.46	--	--	--	--	--	--	--
4400	1426	323	0.51	6.0	367	0.61	7.8	457	0.88	9.7	534	1.12	--	604	1.38	--	752	2.13	--	870	2.84	--	970	3.60	--	--	--	--	--	--	--
4600	1491	334	0.58	6.6	376	0.68	8.5	462	0.95	10.3	540	1.21	11.7	606	1.48	--	751	2.22	--	871	2.96	--	971	3.75	--	--	--	--	--	--	--
4800	1556	345	0.65	7.4	385	0.75	9.2	466	1.02	9.8	546	1.31	12.5	610	1.58	--	749	2.31	--	870	3.09	--	972	3.89	--	--	--	--	--	--	--
5000	1621	356	0.72	8.2	395	0.83	9.9	473	1.11	10.3	551	1.41	13.5	615	1.69	--	746	2.39	--	869	3.22	--	973	4.03	--	--	--	--	--	--	--
5200	1686	367	0.80	8.9	404	0.91	10.5	479	1.20	10.8	555	1.51	15.0	620	1.80	14.4	742	2.46	--	868	3.35	--	973	4.18	--	--	--	--	--	--	--
5400	1751	378	0.89	9.7	414	1.01	11.1	487	1.29	11.3	560	1.61	17.2	627	1.92	15.4	739	2.55	--	866	3.47	--	973	4.35	--	--	--	--	--	--	--
5600	1816	390	0.98	10.6	424	1.10	11.6	494	1.39	11.8	565	1.72	20	632	2.05	16.9	742	2.69	--	864	3.58	--	972	4.51	--	--	--	--	--	--	--
5800	1881	401	1.08	11.4	435	1.21	12.1	502	1.50	12.4	569	1.84	14.4	636	2.18	18.3	746	2.84	--	861	3.69	--	971	4.67	--	--	--	--	--	--	--
6000	1945	413	1.19	12.1	445	1.32	12.6	510	1.61	13.0	575	1.95	14.7	641	2.32	20	750	3.00	--	857	3.79	--	969	4.82	--	--	--	--	--	--	--
6200	2010	424	1.30	12.9	456	1.44	12.3	519	1.73	13.7	581	2.08	15.2	646	2.46	23	755	3.16	--	853	3.89	--	967	4.96	--	--	--	--	--	--	--
6400	2075	436	1.42	13.7	466	1.56	13.1	527	1.85	14.4	588	2.22	15.7	650	2.61	25	761	3.33	20	856	4.08	--	--	--	--	--	--	--	--	--	--
6600	2140	448	1.55	14.6	477	1.70	14.0	536	1.98	15.2	595	2.36	16.4	655	2.75	17.5	767	3.52	21	859	4.27	--	--	--	--	--	--	--	--	--	--
6800	2205	460	1.69	15.4	488	1.84	14.8	545	2.13	16.5	603	2.51	17.1	660	2.90	17.9	772	3.71	22	863	4.48	--	--	--	--	--	--	--	--	--	--
7000	2270	472	1.83	16.2	499	1.98	15.6	555	2.28	18.8	611	2.66	18.2	666	3.07	18.4	777	3.91	23	86											

DMS CONSTRUCTION FEATURES



ACME DUCTMASTER™ SINGLE & TWIN DUCT BLOWERS DMS SERIES

WEATHER-RESISTANT INSULATED CABINET FOR INDOOR AND OUTDOOR

An all-purpose CABINET BLOWER with a compact optional FILTER SECTION.

Widely used in conjunction with HEATING, COOLING and VENTILATING systems.

An economical, quiet and efficient solution for many air moving requirements.

Available with 9", 10", 12", 15", 18" and 20" blower.



Acme certifies that the DMS Series Duct Blower shown hereon is licensed to bear the AMCA Seal. The ratings shown are based on tests and procedures performed in accordance with AMCA Publication 211 and Publication 311 and comply with the requirements of the AMCA Certified Ratings Program.

CONSTRUCTION FEATURES

- Twin duct blowers are tied together with steel angle runners. Twin blowers are on a common shaft and driven from either end.
- Keywaged shafts are standard on both ends.
- Motor mounting hardware as required:
 - motor mounting brackets and adjusting hardware for sizes 9" and 10".
 - Base mount motor plate for sizes 12" and 15".
 - Motor platform for size 18" and 20".
 - specify 1-15 HP or 20-50 HP motor platform for size 20".
- Spider bearing bracket for sizes 9" through 15".
- Pillow block bearings for sizes 18" and 20".

- Blower is firmly mounted on 2 steel reinforcing channels which contain mounting holes for support rods when unit is suspended overhead.
- Blower is equipped with ball bearings which have an operating temperature range of -65° to +250°F.

OPTIONAL ACCESSORIES

- Factory installed internal vibration isolation (option VIB).
- Series F200A and F9220A filter sections are insulated and supplied with 1" framed aluminum mesh filters. All filter tracks will accommodate either 1" or 2" filters. Easily removed for servicing through end access panel.
- H9209 to H9218 filtered intake hood sections supplied with 1" aluminum mesh filters. H9220 hood section has a screened inlet for use with F9220A filter section.

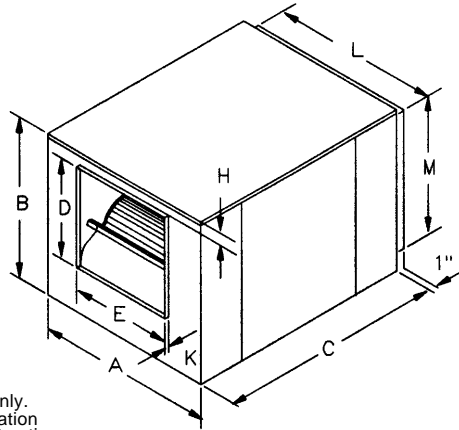


DMS SERIES WITH OPTIONAL INTAKE HOOD



DMS-VIB WITH OPTIONAL INTERNAL VIBRATION ISOLATION

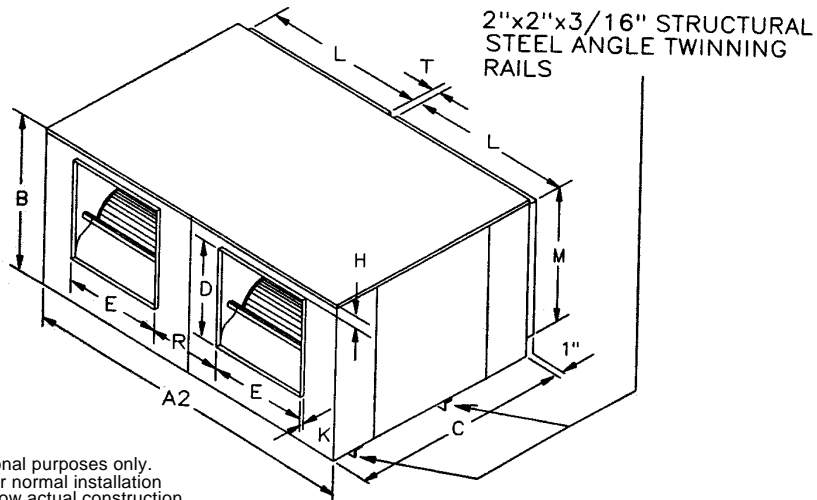
DMS DIMENSIONAL DATA



These are typical drawings for dimensional purposes only. They are correct within limits suitable for normal installation requirements and do not necessarily show actual construction.

DUCT BLOWER (in.)										
MODEL	A	B	C	D	E	H	K	L	M	wt. lbs.
DMS09	21	18	23	11-1/4	12-3/4	1	1-1/8	19	16	64
DMS10	22-1/4	20	24-3/4	12-3/8	14-1/8	1	1-1/8	20-1/4	18	74
DMS12	30-1/8	24-3/4	34	14-1/2	16-5/8	2-1/8	1-1/8	25-1/8	21-1/8	175
DMS15	33-3/4	28-5/8	38-1/8	17	19-5/8	2-1/8	1-1/8	30-5/8	25-1/4	214
DMS18	41-1/2	34	44	19-5/8	22-5/8	2-3/4	1-1/8	35-3/8	31-5/8	370
DMS20	44-3/4	41-1/8	57-1/2	25-3/4	25-3/4	3	1-1/8	38-3/8	35-1/8	575

NOTE: Weight is less motor and drive.



These are typical drawings for dimensional purposes only. They are correct within limits suitable for normal installation requirements and do not necessarily show actual construction.

DUCT BLOWER - TWIN (in.)												
MODEL	A2	B	C	D	E	H	K	L	M	R	T	wt. lbs.
DMS-T09	42	18	23	11-1/4	12-3/4	1	1-1/8	19	16	9-1/4	2	171
DMS-T10	44-1/2	20	24-3/4	12-3/8	14-1/8	1	1-1/8	20-1/4	18	9-1/8	2	198
DMS-T12	60 1/8	24-3/4	34	14-1/2	16-5/8	2-1/8	1-1/8	25-1/8	21-1/8	13-1/4	4-3/4	390
DMS-T15	67-5/8	28-5/8	38-1/8	17	19-5/8	2-1/8	1-1/8	30-5/8	25-1/4	14-1/8	2-7/8	467
DMS-T18	83-3/8	34	44	19-5/8	22-5/8	2-3/4	1-1/8	35-3/8	31-5/8	19	6-1/4	750
DMS-T20	89-1/2	41-1/8	57-1/2	25-3/4	25-3/4	3	1-1/8	38-3/8	35-1/8	19	6-1/8	1200

NOTE: Weight is less motor and drive.

PERFORMANCE DATA

Model DMS09		1-1/2 HP MAXIMUM 3/4" SHAFT						TIP SPEED = 2.65 x RPM WHEEL DIA. = 10.13"																				
CFM	OUTLET VELOCITY FPM	1/8" SP			1/4" SP			1/2" SP			3/4" SP			1" SP			1-1/2" SP			2" SP			2-1/2" SP					
		RPM	BHP	SONES	RPM	BHP	SONES	RPM	BHP	SONES	RPM	BHP	SONES	RPM	BHP	SONES	RPM	BHP	SONES	RPM	BHP	SONES	RPM	BHP	SONES	RPM	BHP	SONES
600	713	417	0.03	1.6	557	0.05	2.2	798	0.10	5.7	977	0.15	8.5	1120	0.21	10.8	1353	0.33	--	1548	0.45	--	1717	0.59	--			
700	832	440	0.04	1.3	566	0.06	2.5	791	0.11	5.4	979	0.17	8.6	1128	0.23	11.1	1367	0.37	--	1564	0.50	--	1736	0.65	--			
800	951	468	0.06	1.8	581	0.07	3.8	786	0.12	5.2	974	0.19	8.4	1130	0.26	11.2	1379	0.41	15.8	1578	0.56	--	1751	0.72	--			
900	1070	499	0.07	2.2	601	0.10	3.1	792	0.14	5.5	964	0.21	8.1	1126	0.28	11.0	1384	0.45	16.2	1590	0.61	19.7	1764	0.79	--			
1000	1189	534	0.09	2.7	625	0.12	4.1	802	0.17	5.8	964	0.23	8.1	1118	0.31	10.7	1384	0.48	16.2	1596	0.67	20	1777	0.85	24			
1100	1308	573	0.12	3.4	653	0.15	6.9	816	0.20	6.7	970	0.27	8.3	1112	0.34	10.5	1379	0.52	15.8	1598	0.72	20	1784	0.92	24			
1200	1427	613	0.15	4.5	682	0.18	10.3	834	0.24	8.0	979	0.30	8.6	1115	0.38	10.6	1371	0.56	15.3	1596	0.76	20	1787	0.98	24			
1300	1546	654	0.19	6.1	714	0.22	5.2	856	0.28	7.0	992	0.35	8.9	1122	0.42	10.9	1362	0.60	14.8	1590	0.81	19.7	1786	1.04	24			
1400	1665	696	0.23	7.0	750	0.26	5.9	881	0.33	7.6	1009	0.40	9.4	1132	0.48	11.3	1362	0.65	14.8	1582	0.87	19.3	1781	1.10	24			
1500	1783	739	0.28	7.7	788	0.31	6.7	907	0.38	8.2	1028	0.46	10.1	1145	0.53	11.9	1367	0.71	15.1	1573	0.92	18.8	1775	1.17	24			
1600	1902	782	0.34	8.3	828	0.37	7.5	936	0.44	8.9	1050	0.52	10.4	1162	0.60	13.6	1375	0.78	15.6	1573	0.99	18.8	1765	1.23	23			
1700	2021	826	0.40	8.8	868	0.43	8.3	966	0.51	9.6	1075	0.59	11.1	1181	0.68	17.5	1385	0.86	16.2	1576	1.07	19.0	1758	1.31	23			

Model DMS-T09		1-1/2 HP MAXIMUM 3/4" SHAFT						TIP SPEED = 2.65 x RPM WHEEL DIA. = 10.13"																				
CFM	OUTLET VELOCITY FPM	1/8" SP			1/4" SP			1/2" SP			3/4" SP			1" SP			1-1/2" SP			2" SP			2-1/2" SP					
		RPM	BHP	SONES	RPM	BHP	SONES	RPM	BHP	SONES	RPM	BHP	SONES	RPM	BHP	SONES	RPM	BHP	SONES	RPM	BHP	SONES	RPM	BHP	SONES	RPM	BHP	SONES
1200	713	417	0.06	2.3	557	0.09	2.9	798	0.19	6.8	977	0.30	10.3	1120	0.41	13.0	1353	0.65	--	1548	0.90	--	1717	1.17	--			
1400	832	440	0.08	1.8	566	0.12	3.0	791	0.22	6.6	979	0.34	10.3	1128	0.47	13.4	1367	0.73	--	1564	1.01	--	1736	1.30	--			
1600	951	468	0.11	2.4	581	0.15	3.8	786	0.25	6.4	974	0.37	10.2	1130	0.52	13.5	1379	0.81	18.9	1578	1.12	--	1751	1.43	--			
1800	1070	499	0.14	2.9	601	0.19	3.9	792	0.29	6.6	964	0.41	9.8	1126	0.56	13.3	1384	0.89	19.3	1590	1.23	24	--	--	--			
2000	1189	534	0.19	3.5	625	0.24	5.0	802	0.34	7.0	964	0.47	9.8	1118	0.62	12.9	1384	0.97	19.3	1596	1.33	24	--	--	--			
2200	1308	573	0.24	4.3	653	0.29	8.5	816	0.40	8.1	970	0.53	10.0	1112	0.68	12.6	1379	1.03	18.9	1598	1.44	24	--	--	--			
2400	1427	613	0.30	5.6	682	0.36	12.4	834	0.48	9.7	979	0.61	10.3	1115	0.76	12.7	1371	1.11	18.3	--	--	--	--	--	--			
2600	1546	654	0.38	7.4	714	0.43	6.3	856	0.56	8.4	992	0.69	10.8	1122	0.85	13.1	1362	1.20	17.7	--	--	--	--	--	--			
2800	1665	696	0.46	8.4	750	0.52	7.1	881	0.66	9.2	1009	0.80	11.4	1132	0.95	13.6	1362	1.31	17.8	--	--	--	--	--	--			
3000	1783	739	0.56	9.4	788	0.62	8.1	907	0.77	9.9	1028	0.92	12.1	1145	1.06	14.4	1367	1.43	18.1	--	--	--	--	--	--			
3200	1902	782	0.67	10.1	828	0.73	9.0	936	0.88	10.8	1050	1.05	12.5	1162	1.20	16.3	--	--	--	--	--	--	--	--	--			
3400	2021	826	0.80	10.6	868	0.86	10.0	966	1.02	11.5	1075	1.19	13.5	1181	1.36	21	--	--	--	--	--	--	--	--	--			

Model DMS10		1-1/2 HP MAXIMUM 3/4" SHAFT						TIP SPEED = 2.99 x RPM WHEEL DIA. = 11.44"																				
CFM	OUTLET VELOCITY FPM	1/8" SP			1/4" SP			1/2" SP			3/4" SP			1" SP			1-1/2" SP			2" SP			2-1/2" SP					
		RPM	BHP	SONES	RPM	BHP	SONES	RPM	BHP	SONES	RPM	BHP	SONES	RPM	BHP	SONES	RPM	BHP	SONES	RPM	BHP	SONES	RPM	BHP	SONES	RPM	BHP	SONES
800	771	388	0.04	2.0	511	0.07	3.1	709	0.12	5.9	861	0.18	8.8	987	0.25	--	1196	0.41	--	1371	0.58	--	1524	0.76	--			
900	868	403	0.05	2.5	520	0.08	3.7	712	0.14	6.0	866	0.21	9.0	993	0.27	11.8	1204	0.44	--	1380	0.62	--	1533	0.81	--			
1000	964	422	0.06	2.4	531	0.09	4.6	713	0.15	6.1	869	0.23	9.1	998	0.31	12.0	1210	0.47	--	1387	0.66	--	1542	0.87	--			
1100	1060	445	0.08	3.0	544	0.11	6.0	719	0.18	6.3	872	0.26	9.2	1002	0.34	12.2	1216	0.50	16.7	1394	0.70	--	1550	0.92	--			
1200	1157	470	0.10	3.8	559	0.13	8.7	728	0.20	6.8	873	0.28	9.3	1005	0.37	12.4	1221	0.55	17.0	1400	0.74	21	1557	0.97	--			
1300	1253	497	0.12	5.4	575	0.15	4.6	738	0.23	7.2	878	0.31	9.5	1007	0.40	12.5	1225	0.61	17.2	1405	0.79	21	1563	1.02	--			
1400	1350	525	0.15	4.9	593	0.18	5.3	749	0.26	7.8	886	0.34	9.9	1009	0.43	12.6	1229	0.65	17.4	1410	0.86	21	1568	1.07	25			
1500	1446	553	0.18	5.6	616	0.21	6.5	762	0.29	8.4	895	0.38	10.3	1013	0.47	12.8	1232	0.70	17.6	1415	0.93	22	1573	1.14	26			
1600	1543	582	0.22	6.7	640	0.25	8.0	776	0.33	9.0	905	0.42	10.8	1021	0.52	13.2	1234	0.74	17.7	1419	1.00	22	1578	1.23	26			
1700	1639	612	0.25	7.8	666	0.29	9.6	791	0.37	9.6	916	0.46	11.3	1030	0.57	13.7	1235	0.79	17.8	1422	1.06	22	1583	1.32	27			
1800	1736	642	0.29	8.8	693	0.33	11.0	807	0.41	10.2	928	0.51	11.9	1040	0.62	14.3	1239	0.84	18.0	1424	1.12	22	1587	1.40	27			
1900	1832	672	0.34	9.7	720	0.38	12.1	824	0.46	10.4	942	0.56	12.6	1051	0.68	14.9	1246	0.91	18.4	1426	1.17	22	1590	1.48	27			

Performance shown is for installation Type B - Free inlet, Ducted outlet, without filter section. Power rating (BHP) does not include drive losses. Performance ratings do not include the effects of appurtenances in the airstream. The sound ratings shown are loudness values in fan sones at 5 ft. (1.5m) in a hemispherical free field calculated per AMCA Standard 301. Values shown are for Installation Type B: free inlet fan sone levels. Sone values not documented in unlisted areas. Twin unit data is derived from tests of single width fans.

SI CONVERSION FACTOR
CFM x .472 = L/s SP x .249 = kPa

PERFORMANCE DATA

Model DMS-T10		1-1/2 HP MAXIMUM 3/4" SHAFT						TIP SPEED = 2.99 x RPM WHEEL DIA. = 11.44"																						
CFM	OUTLET VELOCITY FPM	1/8" SP			1/4" SP			1/2" SP			3/4" SP			1" SP			1-1/2" SP			2" SP			2-1/2" SP							
		RPM	BHP	SONES	RPM	BHP	SONES	RPM	BHP	SONES	RPM	BHP	SONES	RPM	BHP	SONES	RPM	BHP	SONES	RPM	BHP	SONES	RPM	BHP	SONES	RPM	BHP	SONES	RPM	BHP
1600	771	388	0.08	2.7	511	0.13	3.9	709	0.25	7.2	861	0.36	10.7	987	0.51	--	1196	0.82	--	1371	1.16	--	--	--	--	--	--	--	--	--
1800	868	403	0.10	3.2	520	0.16	4.6	712	0.28	7.3	866	0.42	11.0	993	0.55	14.3	1204	0.88	--	1380	1.24	--	--	--	--	--	--	--	--	--
2000	964	422	0.13	3.1	531	0.18	5.6	713	0.31	7.4	869	0.47	11.1	998	0.61	14.5	1210	0.94	--	1387	1.32	--	--	--	--	--	--	--	--	--
2200	1060	445	0.16	3.7	544	0.22	7.3	719	0.35	7.7	872	0.51	11.3	1002	0.69	14.8	1216	1.00	20	1394	1.40	--	--	--	--	--	--	--	--	--
2400	1157	470	0.20	4.7	559	0.26	10.6	728	0.40	8.2	873	0.55	11.4	1005	0.75	15.0	1221	1.10	20	1400	1.49	--	--	--	--	--	--	--	--	--
2600	1253	497	0.25	6.6	575	0.30	5.7	738	0.45	8.8	878	0.61	11.7	1007	0.80	15.1	1225	1.21	21	--	--	--	--	--	--	--	--	--	--	--
2800	1350	525	0.30	6.0	593	0.35	6.5	749	0.51	9.4	886	0.69	12.1	1009	0.86	15.2	1229	1.31	21	--	--	--	--	--	--	--	--	--	--	--
3000	1446	553	0.36	6.8	616	0.42	7.9	762	0.58	10.1	895	0.76	12.6	1013	0.95	15.4	1232	1.40	21	--	--	--	--	--	--	--	--	--	--	--
3200	1543	582	0.43	8.0	640	0.49	9.7	776	0.65	10.9	905	0.84	13.1	1021	1.04	15.8	1234	1.48	21	--	--	--	--	--	--	--	--	--	--	--
3400	1639	612	0.51	9.3	666	0.57	11.5	791	0.73	11.6	916	0.93	13.7	1030	1.14	16.4	--	--	--	--	--	--	--	--	--	--	--	--	--	--
3600	1736	642	0.59	10.6	693	0.66	13.3	807	0.82	12.4	928	1.02	14.4	1040	1.25	17.0	--	--	--	--	--	--	--	--	--	--	--	--	--	--
3800	1832	672	0.68	11.7	720	0.77	14.5	824	0.91	12.7	942	1.13	15.2	1051	1.35	17.8	--	--	--	--	--	--	--	--	--	--	--	--	--	--

Model DMS12		3 HP MAXIMUM 1" SHAFT						TIP SPEED = 3.27 x RPM WHEEL DIA. = 12.50"																						
CFM	OUTLET VELOCITY FPM	1/8" SP			1/4" SP			1/2" SP			3/4" SP			1" SP			1-1/2" SP			2" SP			2-1/2" SP							
		RPM	BHP	SONES	RPM	BHP	SONES	RPM	BHP	SONES	RPM	BHP	SONES	RPM	BHP	SONES	RPM	BHP	SONES	RPM	BHP	SONES	RPM	BHP	SONES	RPM	BHP	SONES	RPM	BHP
1200	823	367	0.07	2.0	470	0.10	3.4	639	0.17	--	783	0.27	--	904	0.37	--	1098	0.57	--	1255	0.78	--	1390	1.02	--	--	--	--	--	--
1400	960	393	0.09	2.8	487	0.13	4.0	646	0.21	--	783	0.31	--	904	0.42	--	1106	0.65	--	1268	0.89	--	1407	1.13	--	--	--	--	--	--
1600	1097	423	0.12	4.1	507	0.17	5.0	658	0.26	10.8	786	0.35	--	905	0.47	--	1106	0.72	--	1276	0.99	--	1420	1.27	--	--	--	--	--	--
1800	1234	455	0.16	6.2	532	0.21	6.4	673	0.31	9.3	796	0.41	10.5	906	0.53	--	1108	0.80	--	1278	1.08	--	1427	1.39	--	--	--	--	--	--
2000	1371	489	0.21	5.1	559	0.26	7.7	690	0.37	9.9	809	0.49	10.4	915	0.61	--	1108	0.88	--	1279	1.19	--	1429	1.51	--	--	--	--	--	--
2200	1508	524	0.27	6.0	588	0.33	9.0	711	0.44	10.6	824	0.57	11.0	927	0.69	13.5	1109	0.97	--	1279	1.29	--	1429	1.64	--	--	--	--	--	--
2400	1646	562	0.35	7.3	620	0.40	10.0	734	0.53	11.4	840	0.66	11.7	941	0.79	14.0	1118	1.08	--	1278	1.40	--	1431	1.77	--	--	--	--	--	--
2600	1783	601	0.43	8.4	653	0.49	10.7	759	0.62	12.3	860	0.76	12.6	956	0.90	14.6	1129	1.21	--	1283	1.53	--	1430	1.90	--	--	--	--	--	--
2800	1920	640	0.53	9.3	687	0.59	9.8	786	0.73	13.1	882	0.88	13.5	973	1.03	15.2	1142	1.35	18.3	1292	1.69	--	1430	2.04	--	--	--	--	--	--
3000	2057	680	0.65	10.3	722	0.70	11.0	815	0.85	14.0	906	1.01	14.6	993	1.17	16.0	1156	1.51	18.9	1304	1.86	--	1438	2.23	--	--	--	--	--	--
3200	2194	721	0.78	11.5	758	0.83	12.3	846	0.99	15.0	932	1.16	16.1	1015	1.33	17.1	1172	1.68	19.6	1317	2.04	23	1448	2.43	--	--	--	--	--	--
3400	2331	762	0.92	12.9	796	0.98	13.4	877	1.14	16.0	959	1.32	18.4	1039	1.50	19.1	1189	1.86	20	1331	2.25	24	1461	2.64	--	--	--	--	--	--

Model DMS-T12		3HP MAXIMUM 1" SHAFT						TIP SPEED = 3.27 x RPM WHEEL DIA = 12.50"																						
CFM	OUTLET VELOCITY FPM	1/8" SP			1/4" SP			1/2" SP			3/4" SP			1" SP			1-1/2" SP			2" SP			2-1/2" SP							
		RPM	BHP	SONES	RPM	BHP	SONES	RPM	BHP	SONES	RPM	BHP	SONES	RPM	BHP	SONES	RPM	BHP	SONES	RPM	BHP	SONES	RPM	BHP	SONES	RPM	BHP	SONES	RPM	BHP
2400	823	367	0.13	2.7	470	0.20	4.2	639	0.35	--	783	0.54	--	904	0.73	--	1098	1.15	--	1255	1.56	--	1390	2.05	--	--	--	--	--	--
2800	960	393	0.18	3.5	487	0.26	5.0	646	0.42	--	783	0.61	--	904	0.83	--	1106	1.30	--	1268	1.78	--	1407	2.26	--	--	--	--	--	--
3200	1097	423	0.25	5.0	507	0.33	6.2	658	0.51	8.0	786	0.71	--	905	0.94	--	1106	1.43	--	1276	1.98	--	1420	2.53	--	--	--	--	--	--
3600	1234	455	0.33	7.5	532	0.42	7.8	673	0.62	8.7	796	0.83	12.7	906	1.06	--	1108	1.60	--	1278	2.17	--	1427	2.79	--	--	--	--	--	--
4000	1371	489	0.43	6.2	559	0.53	9.4	690	0.74	9.5	809	0.97	12.6	915	1.21	--	1108	1.75	--	1279	2.38	--	--	--	--	--	--	--	--	--
4400	1508	524	0.54	7.3	588	0.65	10.7	711	0.89	10.4	824	1.13	13.4	927	1.38	16.1	1109	1.93	--	1279	2.59	--	--	--	--	--	--	--	--	--
4800	1646	562	0.69	8.7	620	0.80	12.0	734	1.06	11.5	840	1.31	14.2	941	1.59	16.7	1118	2.16	--	1278	2.79	--	--	--	--	--	--	--	--	--
5200	1783	601	0.86	10.1	653	0.98	12.9	759	1.25	12.6	860	1.53	15.2	956	1.81	17.4	1129	2.41	--	--	--	--	--	--	--	--	--	--	--	--
5600	1920	640	1.06	11.3	687	1.18	12.0	786	1.46	13.9	882	1.76	16.2	973	2.06	18.2	1142	2.70	22	--	--	--	--	--	--	--	--	--	--	--
6000	2057	680	1.29	12.6	722	1.40	13.4	815	1.70	15.3	906	2.02	17.4	993	2.34	19.2	--	--	--	--	--	--	--	--	--	--	--	--	--	--
6400	2194	721	1.55	14.0	758	1.66	14.8	846	1.98	17.0	932	2.31	19.2	1015	2.66	20	--	--	--	--	--	--	--	--	--	--	--	--	--	--
6800	2331	762	1.85	15.6	796	1.96	16.1	877	2.28	19.9	959	2.63	22	1039	3.00	23	--	--	--	--	--	--	--	--	--	--	--	--	--	--

Performance shown is for installation Type B - Free inlet, Ducted outlet, without filter section. Power rating (BHP) does not include drive losses. Performance ratings do not include the effects of appurtenances in the airstream. The sound ratings shown are loudness values in fan sones at 5 ft. (1.5m) in a hemispherical free field calculated per AMCA Standard 301. Values shown are for Installation Type B: free inlet fan sone levels. Some values not documented in unlisted areas. Twin unit data is derived from tests of single width fans.

SI CONVERSION FACTOR
CFM x .472 = L/s SP x .249 = kPa

PERFORMANCE DATA

Model DMS15		5 HP MAXIMUM 1" SHAFT				TIP SPEED = 3.99 x RPM WHEEL DIA. = 15.25"				1" SP		1-1/2" SP		2" SP		2-1/2" SP									
CFM	OUTLET VELOCITY FPM	1/8" SP		1/4" SP		1/2" SP		3/4" SP		1" SP		1-1/2" SP		2" SP		2-1/2" SP									
		RPM	BHP	SONES	RPM	BHP	SONES	RPM	BHP	SONES	RPM	BHP	SONES	RPM	BHP	SONES	RPM	BHP	SONES						
1800	876	273	0.10	2.7	370	0.18	4.8	510	0.29	8.8	617	0.42	11.3	705	0.57	14.1	850	0.88	18.3	969	1.20	21	1071	1.52	24
1900	925	278	0.11	3.4	373	0.19	5.0	510	0.32	9.0	620	0.44	11.5	708	0.60	14.3	854	0.93	18.6	974	1.26	22	1077	1.59	25
2000	974	284	0.12	4.2	375	0.20	4.5	510	0.35	9.0	622	0.47	11.7	711	0.62	14.6	857	0.97	19.0	978	1.32	22	1083	1.67	25
2100	1022	290	0.14	2.9	375	0.21	4.6	510	0.38	9.0	623	0.50	11.8	714	0.65	14.9	860	1.01	19.3	982	1.37	22	1088	1.74	26
2200	1071	297	0.15	3.5	376	0.22	4.6	511	0.41	9.2	623	0.54	11.9	716	0.68	15.1	863	1.05	19.7	986	1.43	23	1092	1.81	27
2300	1120	305	0.17	4.2	378	0.23	4.7	514	0.44	10.0	624	0.58	11.9	718	0.72	15.3	866	1.09	20	989	1.48	23	1096	1.89	27
2400	1168	314	0.19	4.8	381	0.25	4.8	517	0.46	10.8	624	0.62	12.0	720	0.76	15.5	869	1.13	20	992	1.54	24	1100	1.96	27
2500	1217	323	0.21	5.5	385	0.27	5.1	521	0.49	12.0	624	0.67	12.0	721	0.81	15.5	872	1.17	21	995	1.59	24	1104	2.02	28
2600	1266	332	0.23	4.6	389	0.29	5.3	525	0.51	13.3	625	0.71	12.1	721	0.86	15.5	875	1.21	21	999	1.64	25	1107	2.09	29
2700	1314	342	0.26	5.1	394	0.32	5.6	528	0.54	14.3	626	0.76	12.2	721	0.92	15.5	877	1.26	22	1002	1.69	25	1110	2.16	29
2800	1363	352	0.29	5.6	400	0.34	5.9	530	0.56	9.0	629	0.80	12.6	721	0.98	15.5	879	1.31	22	1005	1.75	25	1113	2.22	29
2900	1412	363	0.31	6.0	406	0.37	6.2	531	0.58	9.1	632	0.84	13.0	721	1.04	15.5	881	1.37	23	1007	1.81	26	1116	2.29	29
3000	1461	373	0.35	6.4	413	0.40	6.5	531	0.60	9.2	636	0.87	13.8	722	1.09	15.6	882	1.44	23	1010	1.87	26	1119	2.36	30
3100	1509	384	0.38	6.7	420	0.43	7.1	532	0.62	9.2	640	0.91	14.5	723	1.15	15.8	882	1.51	23	1012	1.93	27	1122	2.42	30
3200	1558	394	0.42	7.0	427	0.46	8.8	533	0.65	9.3	643	0.95	15.0	725	1.21	15.9	883	1.59	23	1015	2.00	27	1125	2.49	31
3300	1607	405	0.45	7.2	436	0.50	10.3	536	0.68	9.5	646	0.98	15.6	728	1.26	16.2	883	1.68	23	1016	2.07	27	1128	2.57	32
3400	1655	416	0.49	7.4	445	0.54	12.0	539	0.71	9.7	649	1.01	13.6	732	1.31	16.6	883	1.77	23	1018	2.16	28	1130	2.64	32
3500	1704	427	0.54	7.8	454	0.58	14.1	543	0.75	10.0	650	1.04	13.7	736	1.36	16.9	883	1.86	23	1019	2.25	28	1133	2.73	32
3600	1753	437	0.58	8.3	463	0.62	16.4	547	0.80	10.7	651	1.08	13.8	740	1.41	17.3	883	1.94	23	1019	2.35	28	1135	2.81	32
3700	1801	448	0.63	8.8	473	0.67	9.4	552	0.84	11.6	651	1.10	13.8	743	1.46	17.5	884	2.03	24	1020	2.46	28	1137	2.91	33
3800	1850	459	0.68	9.4	483	0.72	10.0	557	0.89	12.5	652	1.14	13.9	746	1.51	17.8	886	2.12	25	1020	2.57	28	1138	3.01	33
3900	1899	470	0.73	9.9	493	0.78	10.8	562	0.94	13.6	653	1.18	13.9	749	1.55	17.6	888	2.20	26	1020	2.69	28	1139	3.13	33
4000	1948	481	0.79	10.5	503	0.83	11.9	568	0.99	14.9	655	1.23	14.1	750	1.59	17.7	891	2.29	27	1020	2.81	28	1140	3.25	33
4100	1996	492	0.85	11.1	513	0.89	13.1	574	1.04	16.1	658	1.28	14.3	751	1.63	17.8	894	2.36	29	1020	2.93	28	1140	3.38	33
4200	2045	503	0.91	11.7	523	0.95	14.2	581	1.10	12.5	661	1.33	14.5	751	1.67	17.8	898	2.44	32	1020	3.05	28	1140	3.52	33
4300	2094	514	0.97	12.4	534	1.02	15.4	588	1.16	13.1	665	1.39	14.9	752	1.71	17.8	902	2.52	35	1022	3.16	29	1140	3.67	33
4400	2142	526	1.04	12.9	544	1.09	16.6	595	1.22	13.8	670	1.46	15.8	753	1.76	17.9	906	2.59	39	1023	3.28	29	1140	3.81	33

Model DMS-T15		5 HP MAXIMUM 1" SHAFT				TIP SPEED = 3.99 x RPM WHEEL DIA = 15.25"				1" SP		1-1/2" SP		2" SP		2-1/2" SP									
CFM	OUTLET VELOCITY FPM	1/8" SP		1/4" SP		1/2" SP		3/4" SP		1" SP		1-1/2" SP		2" SP		2-1/2" SP									
		RPM	BHP	SONES	RPM	BHP	SONES	RPM	BHP	SONES	RPM	BHP	SONES	RPM	BHP	SONES	RPM	BHP	SONES						
3600	876	273	0.20	3.5	370	0.35	5.8	510	0.59	10.2	617	0.84	13.2	705	1.14	16.2	850	1.77	20	969	2.40	24	1071	3.04	27
3800	925	278	0.22	4.2	373	0.38	6.0	510	0.64	10.5	620	0.89	13.6	708	1.19	16.5	854	1.85	21	974	2.52	24	1077	3.19	28
4000	974	284	0.25	5.0	375	0.40	5.6	510	0.70	10.5	622	0.94	13.8	711	1.25	16.8	857	1.93	21	978	2.63	25	1083	3.34	28
4200	1022	290	0.28	3.8	375	0.42	5.7	510	0.76	10.5	623	1.00	13.9	714	1.31	17.1	860	2.01	22	982	2.75	25	1088	3.49	29
4400	1071	297	0.31	4.5	376	0.44	5.7	511	0.82	10.8	624	1.07	14.0	716	1.37	17.3	863	2.09	22	986	2.86	26	1092	3.63	30
4600	1120	305	0.34	5.2	378	0.47	5.8	514	0.87	11.5	624	1.16	14.0	718	1.44	17.5	866	2.17	22	989	2.96	26	1096	3.77	30
4800	1168	314	0.38	5.8	381	0.50	6.0	517	0.93	12.4	624	1.24	14.0	720	1.52	17.7	869	2.25	23	992	3.07	26	1100	3.91	31
5000	1217	323	0.42	6.5	385	0.54	6.2	521	0.98	13.6	624	1.33	14.0	721	1.61	17.8	872	2.33	23	995	3.18	27	1104	4.05	31
5200	1266	333	0.47	5.8	389	0.59	6.5	525	1.03	14.8	625	1.42	14.1	721	1.72	17.8	875	2.42	24	999	3.28	28	1107	4.18	32
5400	1314	342	0.52	6.3	394	0.63	6.8	528	1.07	15.8	626	1.51	14.2	721	1.83	17.8	877	2.52	24	1002	3.39	28	1110	4.31	32
5600	1363	352	0.57	6.8	400	0.68	7.1	530	1.11	10.8	629	1.59	14.6	721	1.95	17.8	879	2.63	25	1005	3.50	28	1113	4.44	33
5800	1412	363	0.63	7.3	406	0.74	7.5	531	1.15	10.9	632	1.67	15.2	721	2.07	17.8	881	2.75	26	1007	3.61	29	1116	4.58	33
6000	1461	373	0.69	7.7	413	0.80	7.8	531	1.19	11.0	636	1.75	15.9	722	2.19	18.0	882	2.88	26	1010	3.73	29	1119	4.71	34
6200	1509	384	0.76	8.1	420	0.86	8.5	532	1.24	11.0	640	1.82	16.6	723	2.30	18.0	883	3.02	26	1013	3.86	30	1122	4.84	34
6400	1558	394	0.83	8.4	428	0.93	10.2	533	1.29	11.1	643	1.89	17.1	725	2.42	18.2	883	3.18	26	1015	4.00	30	1125	4.98	35
6600	1607	405	0.91	8.7	436	1.00	11.8	536	1.36	11.4	647	1.96	17.8	728	2.52	18.5	883	3.35	26	1017	4.15	31	--	--	--
6800	1655	416	0.99	9.0	445	1.08	13.5	539	1.43	11.7	649	2.03	15.8	732	2.63	18.9	883	3.53	26	1018	4.31	31	--	--	--
7000	1704	427	1.07	9.5	454	1.16	15.5	543	1.51	12.0	650	2.09	15.9	736	2.73	19.3	883	3.71	26	1019	4.50	32	--	--	--
7200	1753	437	1.16	10.0	463	1.25	17.8	547	1.59	12.6	650	2.15	16.0	740	2.83	19.7	883	3.89	26	1019	4.70	32	--	--	--
7400	1801	448	1.26	10.5	473	1.34	11.4	552	1.68	13.5	651	2.21	16.0	743	2.92	20	884	4.07	27	1020	4.91	32	--	--	--
7600	1850	459	1.36	11.1	483	1.44	12.0	557	1.78	14.5	652	2.28	16.1	746	3.01	20	886	4.24	28	--	--	--	--	--	
7800	1899	470	1.47	11.8	493	1.55	12.8	562	1.88	15.6	653	2.36	16.2	749	3.10	20	888	4.41	29	--	--	--	--	--	
8000	1948	481	1.58	12.4	503	1.66	13.9	568	1.98	17.0	655	2.45	16.3	750	3.18	20	891	4.57	31	--	--	--	--	--	
8200	1996	492	1.69	13.1	513	1.78	15.1	574	2.09	18.1	658	2.55	16.5	751	3.26	20	894	4.73	32	--	--	--	--	--	
8400	2045	503	1.82	13.7	523	1.90	16.3	581</																	

PERFORMANCE DATA

Model DMS18		5 HP MAXIMUM 1" SHAFT			TIP SPEED = 4.76 x RPM WHEEL DIA. = 18.19"			1" SP			1-1/2" SP			2" SP			2-1/2" SP														
CFM	OUTLET VELOCITY FPM	1/8" SP			1/4" SP			1/2" SP			3/4" SP			1" SP			1-1/2" SP			2" SP			2-1/2" SP								
		RPM	BHP	SONES	RPM	BHP	SONES	RPM	BHP	SONES	RPM	BHP	SONES	RPM	BHP	SONES	RPM	BHP	SONES	RPM	BHP	SONES	RPM	BHP	SONES	RPM	BHP	SONES	RPM	BHP	SONES
3000	972	255	0.20	3.0	321	0.29	6.3	429	0.47	--	533	0.72	--	615	0.97	--	748	1.50	--	860	2.06	--	957	2.68	--						
3200	1037	264	0.23	3.7	325	0.33	7.6	428	0.51	--	531	0.77	--	616	1.03	--	750	1.59	--	861	2.16	--	959	2.79	--						
3400	1102	273	0.27	4.8	330	0.36	5.0	432	0.56	--	529	0.82	--	615	1.10	--	751	1.67	--	863	2.27	--	961	2.91	--						
3600	1167	282	0.31	6.5	336	0.41	5.4	437	0.61	--	526	0.86	--	614	1.16	--	753	1.76	--	865	2.39	--	963	3.03	--						
3800	1232	292	0.35	8.9	343	0.45	6.0	442	0.67	8.0	523	0.89	--	613	1.22	--	754	1.84	--	867	2.50	--	965	3.17	--						
4000	1297	302	0.40	10.1	351	0.50	6.6	448	0.74	8.6	526	0.97	--	610	1.28	--	754	1.93	--	868	2.62	--	967	3.32	--						
4200	1362	312	0.45	11.0	359	0.56	7.2	452	0.81	9.1	530	1.04	--	607	1.33	--	754	2.03	--	869	2.73	--	969	3.46	--						
4400	1426	323	0.51	6.0	367	0.61	7.8	457	0.88	9.7	534	1.12	--	604	1.38	--	752	2.13	--	870	2.84	--	970	3.60	--						
4600	1491	334	0.58	6.6	376	0.68	8.5	462	0.95	10.3	540	1.21	11.7	606	1.48	--	751	2.22	--	871	2.96	--	971	3.75	--						
4800	1556	345	0.65	7.4	385	0.75	9.2	466	1.02	9.8	546	1.31	12.5	610	1.58	--	749	2.31	--	870	3.09	--	972	3.89	--						
5000	1621	356	0.72	8.2	395	0.83	9.9	473	1.11	10.3	551	1.41	13.5	615	1.69	--	746	2.39	--	869	3.22	--	973	4.03	--						
5200	1686	367	0.80	8.9	404	0.91	10.5	479	1.20	10.8	555	1.51	15.0	620	1.80	14.4	742	2.46	--	868	3.35	--	973	4.18	--						
5400	1751	378	0.89	9.7	414	1.01	11.1	487	1.29	11.3	560	1.61	17.2	627	1.92	15.4	739	2.55	--	866	3.47	--	973	4.35	--						
5600	1816	390	0.98	10.6	424	1.10	11.6	494	1.39	11.8	565	1.72	20	632	2.05	16.9	742	2.69	--	864	3.58	--	972	4.51	--						
5800	1881	401	1.08	11.4	435	1.21	12.1	502	1.50	12.4	569	1.84	14.4	636	2.18	18.3	746	2.84	--	861	3.69	--	971	4.67	--						
6000	1945	413	1.19	12.1	445	1.32	12.6	510	1.61	13.0	575	1.95	14.7	641	2.32	20	750	3.00	--	857	3.79	--	969	4.82	--						
6200	2010	424	1.30	12.9	456	1.44	12.3	519	1.73	13.7	581	2.08	15.2	646	2.46	23	755	3.16	--	853	3.89	--	967	4.96	--						
6400	2075	436	1.42	13.7	466	1.56	13.1	527	1.85	14.4	588	2.22	15.7	650	2.61	25	761	3.33	20	856	4.08	--	--	--	--						
6600	2140	448	1.55	14.6	477	1.70	14.0	536	1.98	15.2	595	2.36	16.4	655	2.75	17.5	767	3.52	21	859	4.27	--	--	--	--						
6800	2205	460	1.69	15.4	488	1.84	14.8	545	2.13	16.5	603	2.51	17.1	660	2.90	17.9	772	3.71	22	863	4.48	--	--	--	--						
7000	2270	472	1.83	16.2	499	1.98	15.6	555	2.28	18.8	611	2.66	18.2	666	3.07	18.4	777	3.91	23	868	4.69	--	--	--	--						
7200	2335	484	1.98	17.0	510	2.14	16.4	564	2.45	22	619	2.83	19.2	673	3.24	19.1	782	4.11	24	873	4.91	--	--	--	--						
7400	2399	496	2.14	17.9	522	2.31	17.4	574	2.63	26	627	3.00	20	680	3.42	19.7	786	4.32	25	--	--	--	--	--	--						
7600	2464	508	2.31	18.7	533	2.48	18.4	584	2.81	30	635	3.18	21	687	3.61	20	791	4.53	27	--	--	--	--	--	--						

Model DMS-T18		10 HP MAXIMUM 1-3/16" SHAFT			TIP SPEED = 4.76 x RPM WHEEL DIA. = 18.19"			1" SP			1-1/2" SP			2" SP			2-1/2" SP														
CFM	OUTLET VELOCITY FPM	1/8" SP			1/4" SP			1/2" SP			3/4" SP			1" SP			1-1/2" SP			2" SP			2-1/2" SP								
		RPM	BHP	SONES	RPM	BHP	SONES	RPM	BHP	SONES	RPM	BHP	SONES	RPM	BHP	SONES	RPM	BHP	SONES	RPM	BHP	SONES	RPM	BHP	SONES	RPM	BHP	SONES	RPM	BHP	SONES
6000	972	255	0.40	3.8	321	0.58	7.6	429	0.95	--	533	1.45	--	615	1.95	--	748	3.00	--	860	4.12	--	957	5.36	--						
6400	1037	264	0.46	4.7	325	0.65	9.1	428	1.02	--	531	1.54	--	616	2.06	--	750	3.17	--	861	4.31	--	959	5.59	--						
6800	1102	273	0.53	5.9	330	0.73	6.1	432	1.12	--	529	1.63	--	615	2.19	--	751	3.34	--	863	4.54	--	961	5.82	--						
7200	1167	282	0.61	7.9	336	0.81	6.6	437	1.23	--	526	1.71	--	614	2.32	--	753	3.51	--	865	4.77	--	963	6.06	--						
7600	1232	292	0.70	10.7	343	0.90	7.2	442	1.35	9.7	523	1.79	--	613	2.44	--	754	3.68	--	867	5.00	--	965	6.35	--						
8000	1297	302	0.80	12.1	351	1.00	8.0	448	1.48	10.4	526	1.93	--	610	2.55	--	754	3.86	--	868	5.23	--	967	6.64	--						
8400	1362	312	0.91	13.3	359	1.11	8.8	452	1.61	11.0	530	2.09	--	607	2.66	--	754	4.06	--	869	5.46	--	969	6.92	--						
8800	1426	323	1.03	7.3	367	1.23	9.5	457	1.75	11.7	534	2.25	--	604	2.77	--	752	4.25	--	870	5.68	--	970	7.21	--						
9200	1491	334	1.15	8.1	376	1.36	10.3	462	1.90	12.3	540	2.42	--	606	2.96	--	751	4.44	--	871	5.92	--	971	7.49	--						
9600	1556	345	1.29	8.9	385	1.50	11.1	466	2.05	12.0	546	2.61	15.1	610	3.16	--	749	4.61	--	870	6.18	--	972	7.78	--						
10000	1621	356	1.44	9.9	395	1.66	11.9	473	2.21	12.6	551	2.81	16.2	615	3.37	--	746	4.78	--	869	6.44	--	973	8.05	--						
10400	1686	367	1.60	10.8	404	1.83	12.6	479	2.39	13.2	555	3.02	17.9	620	3.60	--	742	4.93	--	868	6.69	--	973	8.37	--						
10800	1751	378	1.78	11.8	414	2.01	13.3	487	2.58	13.8	560	3.23	21.0	627	3.84	18.5	739	5.10	--	866	6.93	--	973	8.70	--						
11200	1816	390	1.96	12.8	424	2.21	14.0	494	2.78	14.4	565	3.45	25.0	632	4.10	20	742	5.38	--	864	7.16	--	972	9.02	--						
11600	1881	401	2.16	13.7	435	2.42	14.7	502	2.99	15.0	569	3.67	17.0	636	4.37	22	746	5.68	--	861	7.38	--	971	9.33	--						
12000	1945	413	2.38	14.7	445	2.64	15.2	510	3.21	15.6	575	3.91	17.5	641	4.64	24	750	5.99	--	857	7.58	--	969	9.63	--						
12400	2010	424	2.60	15.5	456	2.87	14.9	519	3.45	16.4	581	4.16	18.1	646	4.92	27	755	6.32	--	853	7.78	--	967	9.92	--						
12800	2075	436	2.84	16.5	466	3.12	15.8	527	3.70	17.2	588	4.43	18.9	650	5.21	30	761	6.67	--	856	8.16	--	--	--	--						
13200	2140	448	3.10	17.4	477	3.39	16.7	536	3.96	18.2	595	4.72	19.6	655	5.50	21	767	7.03	25	859	8.55	--	--	--	--						
13600	2205	460	3.37	18.4	488	3.67	17.7	545	4.25	19.7	603	5.02	20	660	5.81	21	772	7.42	26	863	8.96	--	--	--	--						
14000	2270	472	3.66	19.4	499	3.97	18.7	555	4.57	23	611	5.33	22	666	6.14	22	777	7.81	27	868	9.38	--	--	--	--						
14400	2335	484	3.97	20	510	4.28	19.7	564	4.90	26	619	5.65	23	673	6.48	23	782	8.22	29	873	9.83	--	--	--	--						
14800	2399	496	4.29	21	522	4.61	21	574	5.25	32	627	5.99	24	680	6.85	24	786	8.63	31	--	--	--	--	--	--						
15200	2464	508	4.63	22	533	4.96	22	584	5.62	36	635	6.35	26	687	7.22	24	791	9.06	32	--											

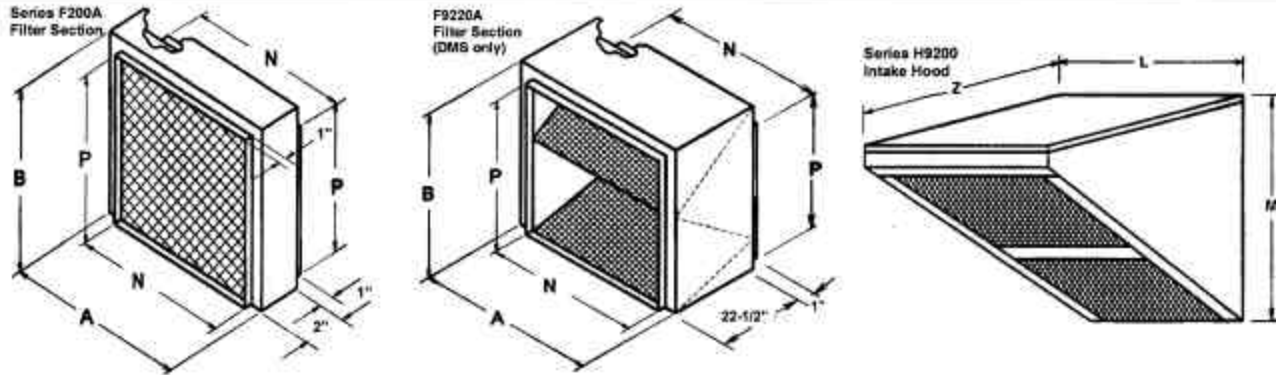
PERFORMANCE DATA

Model DMS20		15 HP MAXIMUM 1-7/16" SHAFT										TIP SPEED = 5.35 x RPM WHEEL DIA = 20.44"														
CFM	OUTLET VELOCITY FPM	1/8" SP			1/4" SP			1/2" SP			3/4" SP			1" SP			1-1/2" SP			2" SP			2-1/2" SP			
		RPM	BHP	SONES	RPM	BHP	SONES	RPM	BHP	SONES	RPM	BHP	SONES	RPM	BHP	SONES	RPM	BHP	SONES	RPM	BHP	SONES	RPM	BHP	SONES	RPM
6000	1303	336	0.84	13.3	373	1.00	9.1	446	1.35	7.6	511	1.75	10.0	569	2.14	11.8	674	2.99	16.6	765	3.86	20	845	4.75	23	
6250	1357	347	0.94	14.7	382	1.10	9.8	453	1.46	8.0	517	1.87	10.3	574	2.28	12.1	678	3.15	17.1	768	4.06	20	848	4.95	24	
6500	1411	358	1.04	14.4	392	1.21	10.5	461	1.58	8.5	523	2.00	10.6	580	2.43	12.4	682	3.31	18.1	772	4.26	21	852	5.19	24	
6750	1465	370	1.15	14.1	402	1.33	11.2	468	1.71	8.9	530	2.13	10.5	585	2.58	12.7	685	3.47	18.7	776	4.46	21	855	5.43	24	
7000	1520	381	1.27	13.8	412	1.46	11.8	476	1.85	9.4	536	2.28	10.9	591	2.74	13.2	690	3.66	19.8	780	4.67	21	859	5.68	25	
7250	1574	392	1.40	13.6	423	1.59	12.3	484	1.99	9.8	543	2.42	11.4	597	2.90	13.7	695	3.86	21	783	4.88	22	863	5.93	25	
7500	1628	404	1.54	13.5	433	1.73	12.7	492	2.14	10.3	551	2.58	11.9	604	3.07	14.5	700	4.06	22	787	5.09	22	867	6.19	25	
7750	1683	415	1.68	13.3	444	1.88	13.2	500	2.30	10.7	558	2.75	12.3	610	3.25	14.0	705	4.28	24	791	5.31	22	871	6.45	26	
8000	1737	427	1.84	13.3	455	2.05	13.3	509	2.47	11.2	565	2.94	12.8	617	3.44	14.5	711	4.50	25	795	5.55	23	874	6.71	26	
8250	1791	439	2.00	13.3	465	2.22	13.3	518	2.65	11.8	573	3.13	13.4	624	3.63	15.0	716	4.72	27	800	5.81	23	878	6.97	26	
8500	1845	450	2.18	13.3	476	2.40	13.3	528	2.84	12.4	581	3.33	14.0	631	3.84	15.5	722	4.96	29	805	6.08	24	882	7.24	27	
8750	1900	462	2.36	13.3	487	2.59	13.4	537	3.05	12.9	588	3.54	14.5	638	4.05	16.0	728	5.20	31	810	6.36	25	885	7.51	27	
9000	1954	474	2.56	13.3	498	2.79	13.5	547	3.26	13.5	596	3.76	15.1	646	4.29	16.7	735	5.45	33	815	6.64	26	890	7.83	27	
9250	2008	486	2.77	13.4	510	3.00	13.6	557	3.48	14.1	604	3.99	15.7	653	4.53	17.3	741	5.71	36	821	6.94	27	895	8.15	28	
9500	2063	498	2.98	13.5	521	3.22	13.7	567	3.72	14.8	613	4.23	16.8	661	4.79	18.0	748	5.98	20	827	7.24	28	900	8.49	28	
9750	2117	509	3.21	13.6	532	3.46	14.0	577	3.97	15.7	622	4.48	18.0	668	5.05	19.1	754	6.26	21	833	7.55	29	905	8.84	29	
10000	2171	521	3.45	13.7	543	3.71	14.5	587	4.22	17.0	631	4.75	19.5	676	5.33	20	761	6.55	21	839	7.87	31	910	9.19	29	
10250	2226	533	3.70	14.0	555	3.96	15.1	598	4.49	18.9	640	5.04	21	684	5.62	22	768	6.85	22	845	8.20	32	916	9.56	30	
10500	2280	545	3.96	14.6	566	4.23	15.7	608	4.78	21	650	5.33	23	692	5.91	23	776	7.16	22	851	8.54	33	921	9.93	30	
10750	2334	557	4.23	15.2	578	4.52	16.6	619	5.07	24	659	5.64	26	700	6.22	24	783	7.48	23	858	8.90	34	927	10.32	31	
11000	2388	568	4.52	15.8	589	4.81	18.2	629	5.38	27	669	5.96	29	709	6.55	25	790	7.84	24	864	9.26	26	933	10.71	31	
11250	2443	580	4.82	16.9	601	5.12	20	640	5.70	31	679	6.29	34	718	6.89	27	798	8.21	24	871	9.63	27	939	11.12	32	
11500	2497	592	5.13	18.7	613	5.45	23	651	6.04	36	689	6.64	36	727	7.25	28	805	8.59	25	878	10.01	27	946	11.53	33	
11750	2551	604	5.46	21	624	5.78	26	662	6.38	41	699	7.00	38	736	7.62	29	813	8.98	26	885	10.41	28	952	11.96	33	
12000	2606	616	5.80	24	636	6.13	29	673	6.75	48	709	7.37	39	746	8.01	30	820	9.38	26	892	10.81	29	958	12.40	34	

Model DMS-T20		40 HP MAXIMUM 2-1/4" SHAFT										TIP SPEED = 5.35 x RPM WHEEL DIA. = 20.44"														
CFM	OUTLET VELOCITY FPM	1/8" SP			1/4" SP			1/2" SP			3/4" SP			1" SP			1-1/2" SP			2" SP			2-1/2" SP			
		RPM	BHP	SONES	RPM	BHP	SONES	RPM	BHP	SONES	RPM	BHP	SONES	RPM	BHP	SONES	RPM	BHP	SONES	RPM	BHP	SONES	RPM	BHP	SONES	RPM
12000	1303	336	1.69	16.0	373	2.00	11.0	446	2.70	9.2	511	3.50	12.1	569	4.29	14.4	674	5.99	19.8	765	7.72	24	845	9.50	28	
12500	1357	347	1.88	17.9	382	2.21	11.8	453	2.92	9.6	517	3.74	12.5	574	4.57	14.7	678	6.30	20	768	8.11	24	848	9.89	29	
13000	1411	358	2.09	17.3	392	2.43	12.6	461	3.16	10.3	523	4.00	12.9	580	4.86	15.0	682	6.62	22	772	8.52	25	852	10.38	29	
13500	1465	370	2.31	16.9	402	2.66	13.3	468	3.42	10.8	530	4.27	13.0	585	5.16	15.4	685	6.95	22	776	8.92	25	855	10.87	29	
14000	1520	381	2.55	16.6	412	2.91	14.1	476	3.69	11.3	536	4.55	13.3	591	5.47	15.9	690	7.32	24	780	9.34	25	859	11.36	30	
14500	1574	392	2.80	16.3	423	3.18	14.7	484	3.97	11.9	543	4.85	13.9	597	5.80	16.5	695	7.72	25	783	9.76	26	863	11.87	30	
15000	1628	404	3.08	16.2	433	3.47	15.3	492	4.27	12.5	551	5.16	14.5	604	6.15	17.3	700	8.13	27	787	10.19	26	867	12.38	31	
15500	1683	415	3.37	16.1	444	3.77	15.8	500	4.59	13.1	558	5.50	15.0	610	6.51	16.9	705	8.55	29	791	10.62	27	871	12.89	31	
16000	1737	427	3.68	15.9	455	4.09	15.9	509	4.94	13.7	565	5.87	15.5	617	6.88	17.4	711	8.99	31	795	11.10	27	874	13.42	31	
16500	1791	439	4.01	15.7	465	4.43	15.9	518	5.30	14.3	573	6.26	16.2	624	7.27	17.9	716	9.45	33	800	11.62	28	878	13.95	32	
17000	1845	450	4.36	15.9	476	4.79	16.0	528	5.69	15.1	581	6.66	16.8	631	7.67	18.6	722	9.92	35	805	12.16	29	882	14.48	32	
17500	1900	462	4.73	15.9	487	5.17	16.1	537	6.09	15.7	588	7.08	17.4	638	8.09	19.2	728	10.40	38	810	12.71	30	885	15.02	32	
18000	1954	474	5.12	16.0	498	5.58	16.2	547	6.52	16.4	596	7.52	18.1	646	8.57	20	735	10.91	41	815	13.28	31	890	15.65	33	
18500	2008	486	5.53	16.1	510	6.00	16.4	557	6.97	17.1	605	7.97	18.9	653	9.06	21	741	11.43	43	821	13.87	33	895	16.31	33	
19000	2063	498	5.97	16.2	521	6.45	16.6	567	7.44	18.0	613	8.45	20	661	9.58	22	748	11.97	24	827	14.48	34	900	16.98	34	
19500	2117	509	6.42	16.4	532	6.92	17.1	577	7.93	18.9	622	8.97	22	668	10.11	23	754	12.53	25	833	15.10	36	905	17.67	34	
20000	2171	521	6.90	16.6	543	7.41	17.7	587	8.45	20	631	9.51	23	676	10.66	24	761	13.10	25	839	15.75	37	910	18.38	35	
20500	2226	533	7.40	17.1	555	7.93	18.3	598	8.99	22	640	10.07	25	684	11.24	26	768	13.70	26	845	16.41	39	916	19.11	36	
21000	2280	545	7.92	17.8	566	8.47	19.0	608	9.55	25	650	10.66	28	692	11.83	28	776	14.32	27	851	17.09	40	921	19.86	36	
21500	2334	557	8.47	18.4	578	9.03	20	619	10.14	29	659	11.28	31	700	12.45	29	783	14.96	28	858	17.79	42	927	20.63	37	
22000	2388	568	9.04	19.1	589	9.63	21	629	10.76	33	669	11.92	36	709	13.10	30	790	15.68	28	864	18.52	31	933	21.42	38	
22500	2443	580	9.64	20	601	10.25	24	640	11.40	38	679	12.58	41	718	13.79	32	798	16.41	29	871	19.26	32	939	22.23	39	
23000	2497	592	10.26	22	613	10.89	28	651	12.07	43	689	13.28	44	727	14.50	34	805	17.17	30	878	20.03	33	946	23.07	40	
23500	2551	604	10.91	25	624	11.57	31	662	12.77	50	699	14.00	47	736	15.25	35	813	17.96	31	885	20.82	34	952	23.92	40	
24000	2606	616	11.59	28	636	12.27	36	673	13.50	59	709	14.75	49	746	16.02	37	820	18.76	32	892	21.63	34	958	24.80	41	

Performance shown is for installation Type B - Free inlet, Ducted outlet, without filter section. Power rating (BHP) does not

FILTER AND INTAKE HOOD DATA



These are typical drawings for dimensional purposes only. They are correct within limits suitable for normal installation requirements and do not necessarily show actual construction.

FILTER SECTION									INTAKE HOOD						
BLOWER SIZE	MODEL	A	B	N	P	FILTER SIZE	QTY.	wt. (lb.)	MODEL	L	M	Z	FILTER SIZE	QTY.	wt. (lb.)
7	F207A	17-3/4	15-3/8	16	13-1/2	14-1/8 x 16-5/8	(1)	6	N/A	-	-	-	-	-	-
9	F209A	21	18	19-1/8	16-1/8	16-3/4 x 14-7/8	(1)	7	H9209	19-1/4	16-9/16	21-1/4	16 x 24	(1)	18
10	F210A	22-1/4	20	20-3/8	18-1/8	18-3/4 x 21-1/8	(1)	8	H9210	20-1/2	18-9/16	25-3/4	15 x 20	(2)	20
12	F212A	27	23	25-1/8	21-1/8	21-3/4 x 25-7/8	(1)	10	H9212	25-3/8	21-9/16	30-3/4	20 x 25 & 16 x 25	(2)	32
15	F215A	32-1/2	28-3/4	30-5/8	25-1/8	25-3/4 x 31	(1)	12	H9215	31-3/16	25-13/16	33-1/2	20 x 28-1/2	(2)	44
18	F218A	37	33-1/4	35-1/4	31-1/2	32-1/4 x 35-7/8	(1)	14	H9218	35-5/8	32-11/16	40-1/4	20 x 25 (2) & 16 x 25	(2)	56
20	F9220A	39-3/4	37-1/4	38-1/2	35-1/4	20 x 25	(6)	70	H9220	38-5/8	35-9/16	22	use F9220A		444
ALL FILTER SECTIONS HAVE 1" ALUMINUM FILTERS.									INTAKE HOODS (EXCEPT H9220) HAVE 1" ALUMINUM FILTERS. H9220 HAS SCREENED INLET FOR USE WITH F9220 FILTER SECTION.						
NOTE: TWIN DUCT BLOWERS REQUIRE TWO FILTER SECTIONS AND/OR TWO HOOD SECTIONS															

PRESSURE DROP WITH 1" ALUMINUM FILTERS (In. wg.)												
CFM	FILTER SECTION							INTAKE HOOD SECTION				
	F207A	F209A	F210A	F212A	F215A	F218A	F9220A	H9209	H9210	H9212	H9215	H9218
300	.010	.007						.013				
400	.018	.010						.018				
600	.030	.020	.013					.030	.018			
800	.067	.026	.022	.012				.043	.025	.015		
1000	.117	.042	.028	.020				.065	.034	.019		
1200	.171	.073	.041	.023	.012			.093	.043	.023	.017	
1300		.091	.053	.025	.015			.107	.049	.027	.019	
1400		.109	.067	.029	.018			.122	.055	.030	.020	
1600		.145	.095	.038	.021	.011			.072	.035	.025	.015
1800		.182	.124	.054	.024	.013			.091	.042	.030	.017
2000			.154	.073	.028	.017			.109	.048	.034	.019
2500				.128	.042	.023				.073	.045	.025
3000				.182	.073	.028				.103	.061	.032
3500					.110	.040				.131	.082	.040
4000					.147	.057	.023				.107	.048
4500					.182	.082	.027				.130	.072
5000						.107	.032					.088
5500						.132	.036					.103
6000						.157	.040					.117
6500						.182	.048					.131
7000							.052					
7500							.058					
8000							.065					
8500							.074					
9000							.082					
10000							.101					
11000							.118					
12000							.137					
MAXIMUM CFM												
	1250	1800	2200	3500	4500	6700	12000	1450	2200	3500	4500	7000

HEATING AND COOLING COILS

CONSTRUCTION FEATURES

- Designed for use with matching Ductmaster™ DM or DMS Series Duct Blower and Filter Section.
- Lead free construction - safe for use with portable water systems
- Attractive Ductmaster™ green baked enamel Cabinet Finish
- Convenient for both New or Renovation Installations
- Aluminum Fin on Copper Tube Construction
- Suitable for Remote Installation in Duct
- All Coils are Factory Leak Tested

SERIES HC HOT WATER HEATING COILS

-2 Row Coil

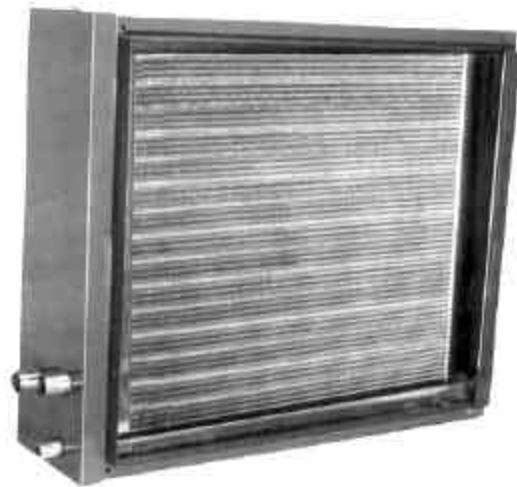
-Horizontal or Vertical Installation



SERIES CW CHILLED WATER COOLING COILS

-4 Row Coil

-Sloped Drain pan for Positive
Condensate Removal



**Typical Installation showing Filter Section, Cooling Coil, Heating Coil and Duct Blower
(Duct blower side panel removed for illustrative purposes)**

HEATING COIL CAPACITIES

Based on 70 deg. F Air in Temp.

Model HC-07		Based on 2 U.S. gpm - Pressure drop - 2.8 ft wg					
CFM	300	375	450	525	600	675	750
SP - in. wg	0.04	0.05	0.07	0.09	0.12	0.14	0.17
Water Temp. DEG F	Heating Capacity - MBH						
140	16.59	19.14	21.36	22.96	24.3	25.85	27.01
160	21.33	24.6	27.46	29.52	31.24	33.24	34.73
180	26.06	30.07	33.57	36.08	38.18	40.62	42.45

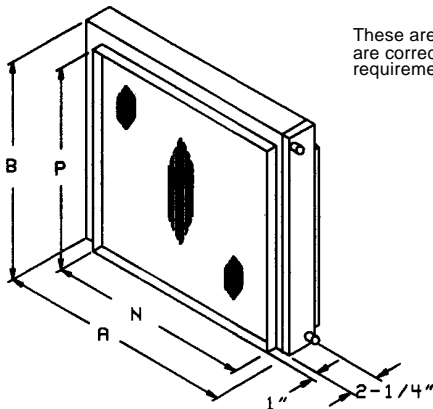
Model HC-09		Based on 4 U.S. gpm - Pressure drop - 2.2 ft wg					
CFM	400	500	600	700	800	900	1000
SP - in. wg	0.04	0.05	0.07	0.09	0.12	0.14	0.17
Water Temp. DEG F	Heating Capacity - MBH						
140	21.50	25.02	28.18	30.60	32.69	34.71	36.50
160	27.65	32.17	36.23	39.35	42.03	44.63	46.93
180	33.79	39.31	44.28	48.09	51.37	54.55	57.00

Model HC-10		Based on U.S. gpm - Pressure drop - 2.1 ft wg					
CFM	500	600	700	800	900	1000	1100
SP - in. wg	0.04	0.06	0.07	0.09	0.11	0.13	0.16
Water Temp. DEG F	Heating Capacity - MBH						
140	27.16	30.71	33.98	36.55	38.55	40.85	42.92
160	34.92	39.49	43.68	47.00	49.95	52.52	55.18
180	42.68	48.27	53.39	57.44	61.05	64.19	67.45

Model HC-12		Based on 6 U.S. gpm - Pressure drop - 2.5 ft wg					
CFM	700	850	1000	1100	1300	1450	1600
SP - in. wg	0.04	0.05	0.07	0.09	0.11	0.13	0.15
Water Temp. DEG F	Heating Capacity - MBH						
140	39.18	44.73	49.56	53.27	56.72	59.90	62.56
160	50.38	57.52	63.72	64.48	72.92	77.01	80.44
180	61.57	70.30	77.88	83.70	89.13	94.13	98.31

Model HC-15		Based on 8 U.S. gpm - Pressure drop - 2.6 ft wg					
CFM	1500	1600	1700	1800	1900	2000	2100
SP - in. wg	0.08	0.09	0.10	0.11	0.12	0.13	0.14
Water Temp. DEG F	Heating Capacity - MBH						
140	70.4	73.2	75.7	78.2	80.5	82.6	84.5
160	90.5	94.2	97.4	100.5	103.5	106.2	108.6
180	110.7	115.0	119.0	122.0	126.4	129.5	132.4

Other capacities are available upon request.



These are typical drawings for dimensional purposes only. They are correct within limits suitable for normal installation requirements and do not necessarily show actual construction.

HC DIMENSIONS (in.)							
MODEL	A	B	N	P	INLET	OUTLET	WT. - lbs.
HC-07	17-3/4	15-3/8	19	13-1/2	5/8	5/8	10
HC-09	21	18	19-1/8	16-1/8	5/8	5/8	14
HC-10	22-1/4	20	20-3/8	18-1/8	5/8	5/8	17
HC-12	27	23	25-1/8	21-1/8	5/8	3/4	23
HC-15	32-1/2	26-3/4	30-3/8	25-1/8	3/4	3/4	32

COOLING COIL CAPACITIES

Based on 80 deg. F DB / 67 deg. WB Air in Temp.

Model CW-07		Based on 4 U.S. Gpm - Pressure drop - 2.8 ft wg						
CFM	300	375	450	525	600	675	750	
SP - in. wg	0.13	0.19	0.25	0.32	0.4	0.48	0.56	
Water Temp. DEG F	Cooling Capacity - MBH - Total Heat / Sensible Heat							
42	14.1 / 8.6	16.3 / 10.2	17.5 / 11.3	19.0 / 12.5	20.4 / 13.8	21.5 / 14.9	22.9 / 16.2	
45	12.6 / 8.0	14.2 / 9.2	15.6 / 10.5	16.9 / 11.7	18.1 / 12.9	19.0 / 13.9	20.2 / 15.2	
48	11.1 / 7.3	12.6 / 8.5	13.7 / 9.7	14.8 / 10.8	15.8 / 12.0	16.5 / 13.0	17.6 / 14.3	

Model CW-09		Based on 4 U.S. gpm - Pressure drop - 2.2 ft. wg						
CFM	400	500	600	700	800	900	1000	
SP - in. wg	0.14	0.20	0.26	0.33	0.41	0.50	0.59	
Water Temp. DEG F	Cooling Capacity - MBH - Total Heat / Sensible Heat							
42	18.8 / 11.5	21.3 / 13.4	23.5 / 15.1	25.6 / 16.9	27.2 / 18.5	28.7 / 20.0	30.5 / 21.8	
45	16.8 / 10.7	19.0 / 12.4	20.9 / 14.1	22.7 / 15.8	24.1 / 17.3	25.4 / 18.7	26.9 / 20.4	
48	14.8 / 9.8	16.7 / 11.5	18.3 / 13.0	19.8 / 14.6	21.0 / 16.1	22.1 / 17.5	23.4 / 19.1	

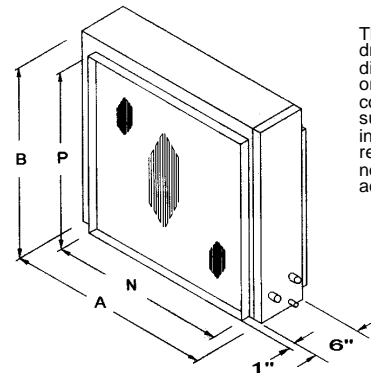
Model CW-10		Based on U.S. gpm - Pressure drop - 2.1 ft. wg						
CFM	500	600	700	800	900	1000	1100	
SP - in. wg	0.14	0.19	0.25	0.30	0.37	0.43	0.50	
Water Temp. DEG F	Cooling Capacity - MBH - Total Heat / Sensible Heat							
42	23.3 / 14.3	25.9 / 16.2	28.4 / 18.2	30.7 / 20.1	32.6 / 21.8	34.0 / 23.4	35.7 / 24.9	
45	20.8 / 13.2	23.1 / 15.1	25.3 / 16.9	27.3 / 18.7	28.9 / 20.3	30.3 / 21.8	31.6 / 22.9	
48	18.3 / 12.2	20.3 / 13.9	22.1 / 15.6	23.8 / 17.4	25.2 / 18.9	26.4 / 20.4	27.5 / 21.8	

Model CW-12		Based on U.S. gpm - Pressure drop - 2.5 ft. wg						
CFM	700	850	1000	1150	1300	1450	1600	
SP - in. wg	0.13	0.18	0.23	0.29	0.35	0.42	0.49	
Water Temp. DEG F	Cooling Capacity - MBH - Total Heat / Sensible Heat							
42	32.2 / 19.9	37.1 / 23.3	40.1 / 26.4	44.0 / 29.1	45.8 / 31.1	47.8 / 33.2	49.9 / 35.6	
45	28.8 / 18.4	33.0 / 21.6	36.4 / 24.5	39.0 / 27.1	40.5 / 29.0	42.2 / 31.1	44.0 / 33.3	
48	25.3 / 16.9	28.9 / 20.0	31.8 / 22.7	33.0 / 25.1	35.2 / 27.0	36.6 / 28.9	38.2 / 31.2	

Model CW-15		Based on 8 U.S. gpm - Pressure drop - 5.0 ft. wg						
CFM	1500	1600	1700	1800	1900	2000	2100	
SP - in. wg	0.21	0.23	0.26	0.28	0.31	0.33	0.36	
Water Temp. DEG F	Cooling Capacity - MBH - Total Heat / Sensible Heat							
42	58.6 / 38.4	60.5 / 40.1	62.0 / 41.8	63.5 / 43.3	64.8 / 44.8	66.0 / 46.2	67.3 / 47.8	
45	51.8 / 35.7	53.4 / 37.3	54.7 / 38.8	55.9 / 40.3	57.0 / 41.8	58.0 / 43.2	59.1 / 44.7	
48	45.0 / 33.0	46.4 / 34.6	47.4 / 36.1	48.4 / 37.5	49.3 / 38.9	50.2 / 40.2	51.1 / 41.7	

Other capacities are available upon request.

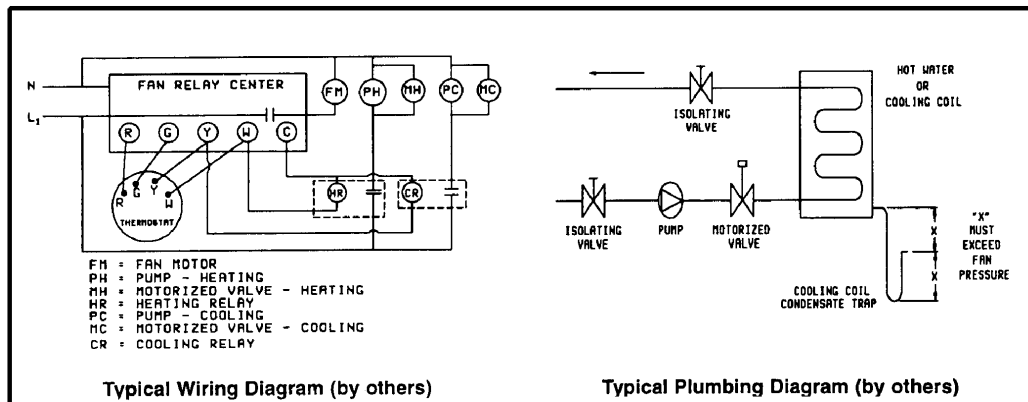
CW DIMENSIONS (in.)								
MODEL	A	B	N	P	INLET	OUTLET	DRAIN	wt.-lbs.
CW-07	17-3/4	15-3/8	16	13-1/2	5/8	5/8	5/8	22
CW-09	21	18	19-1/8	16-1/8	7/8	7/8	5/8	29
CW-10	22-1/2	20	20-3/8	18-1/8	7/8	7/8	5/8	36
CW-12	27	23	25-1/8	21-1/8	7/8	7/8	5/8	42
CW-15	33-1/2	28	30-5/8	25-1/8	7/8	7/8	5/8	61



These are typical drawings for dimensional purposes only. They are correct within limits suitable for normal installation requirements and do not necessarily show actual construction.

TYPICAL SELECTION EXAMPLE

Heating Coil Capacity Air Temperature Correction Factor				Useful Formula
Air Temp. Deg F	Water Temp. Deg. F			Air Temp. Rise = $\frac{\text{Mbh} \times 1000}{\text{Cfm} \times 1.08}$
Deg F	140	160	180	Water Temp. Drop = $\frac{\text{Mbh} \times 1000}{\text{Gpm} \times 500}$
80	0.86	0.89	0.91	
70	1.00	1.00	1.00	
60	1.14	1.11	1.09	
50	1.29	1.22	1.18	



Typical Selection Example

Requirement

An application requires 40 Mbh heating and 26 Mbh of cooling.
Hot water temperature is 160 deg F. Chilled water is 45 deg F.

Selection

An HC-09 will provide 42.03 Mbh @ 160 deg F water temp with an air flow of 800 CFM. The matching Cooling Coil, CW-09, needs 900 CFM to deliver the 26 Mbh cooling load which will determine the design CFM. The system SP, excluding the coils and filter section, has been calculated as 0.4 in. Wg based on the 900 CFM.

Static Pressure Estimate

<u>Component</u>	<u>sp - in. Wg</u>
System	0.40
CW-09 Cooling Coil	0.50
HC-09 Heating Coil	0.12
F209A Filter	<u>0.04</u>
Total sp	1.06

Blower Selection

Select Model DM09 or DMS09 duct blower to match HC-09 & CW-09 dimensions

Motor Selection

From DUCTMASTER™ Catalog page 5 for DM or page 11 for DMS performance data, at 900 CFM & 1" SP requires .28 BHP @ 1126 RPM Select a 1/3 BHP motor

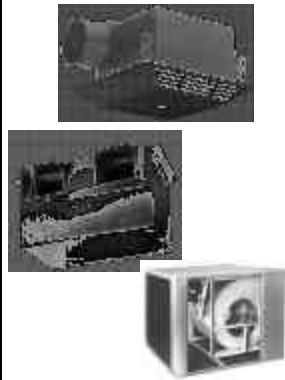
CENTRIFUGAL VENTILATION FANS



DUCT FANS PROPELLER AND INLINE CENTRIFUGAL



CEILING, INLINE AND CABINET FANS



CENTRIFUGAL & PROPELLER ROOF EXHAUST FANS



CENTRIFUGAL & PROPELLER ROOF SUPPLY FANS



CENTRIFUGAL AND PROPELLER UPBLAST ROOF EXHAUSTERS



CENTRIFUGAL INDUSTRIAL PROCESS FANS



CENTRIFUGAL HEAVY DUTY INDUSTRIAL FANS



CENTRIFUGAL AIR HANDLING FANS



CENTRIFUGAL AND PROPELLER WALL FANS



MAKE-UP AIR SYSTEMS



EXHAUST & SUPPLY VENTS



LIMITED WARRANTY Acme Engineering and Manufacturing Corporation warrants the products manufactured by Acme to be free from original defects in workmanship and material for two years subject to the terms and conditions of its published limited warranty. Warranties on purchased products are subject to the vendor's warranty. Refer to current Form MS149 for complete limited warranty terms and conditions.

WARNING Acme products are designed and manufactured to provide reliable performance but they are not guaranteed to be 100% free of defects. Even reliable products

will experience occasional failures and this possibility should be recognized by the User. If these products are used in a life support ventilation system where failure could result in loss or injury, the User should provide adequate back-up ventilation, supplementary natural ventilation or failure alarm system, or acknowledge willingness to accept the risk of such loss or injury.

WARNING DO NOT use in HAZARDOUS ENVIRONMENTS where fan's electrical system could provide ignition to combustible or flammable materials unless unit is specifically built for hazardous environments.

CAUTION Guards must be installed when fan is within reach of personnel or within seven (7) feet (2.134 m) of working level or when deemed advisable for safety.

DISCLAIMER The Company has made a diligent effort to illustrate and describe the products in this literature accurately; however, such illustrations and descriptions are for the sole purpose of identification, and do not express or imply a warranty that the products are merchantable, or fit for a particular purpose, or that the products will necessarily conform to the illustrations or descriptions or dimension.



ACME ENGINEERING & MANUFACTURING CORP.

P.O. Box 978, Muskogee, Oklahoma 74402
 Telephone: 918-682-7791 Fax: 918-682-0134
 www.acmefan.com e-mail: acmefan@acmefan.com

Member Air Movement and Control Association