

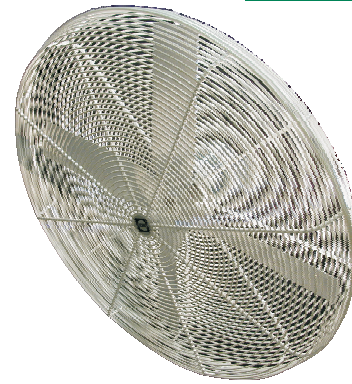


ACME ENGINEERING & MANUFACTURING CORP.
 P.O. Box 978 • Muskogee, OK 74402
 918/682-7791 • FAX 800/382-ACME
 www.acmeag.com acmeag@acmefan.com
 www.acmehort.com acmehort@acmefan.com

FANS

**VALU-MASTER
 Model HAF**

Horizontal Air Flow Fan



Acme's precise engineering has matched the proper propeller with a continuous duty motor to form a high airflow and low energy consumption fan.

CHECK THESE FEATURES -

- **Propeller** - Designed to give the best performance and efficiency as well as quiet operation.
- **Moisture Resistant Motor** - From 1/15 HP PSC to 1/2 HP 3 phase, ACME has the right motor for the fan size. All have thermal overload protection and ball bearings. Selected motors can be used with variable speed control for more precise air movement.
- **PVC Coated Guards** - Two piece wire easy-access guard has a white PVC coating to resist corrosion.
- **Easy Installation** - Two piece standard rotational bracket provides a locking tilt adjustment for proper angle of air flow. "S" bracket provides two different dimensional mountings. Optional brackets are available for alternate mounting styles.
- **Factory Wiring** - All single phase motors come factory wired using either a 6 foot 115 volt or 8 foot 230 volt cord with molded plug.

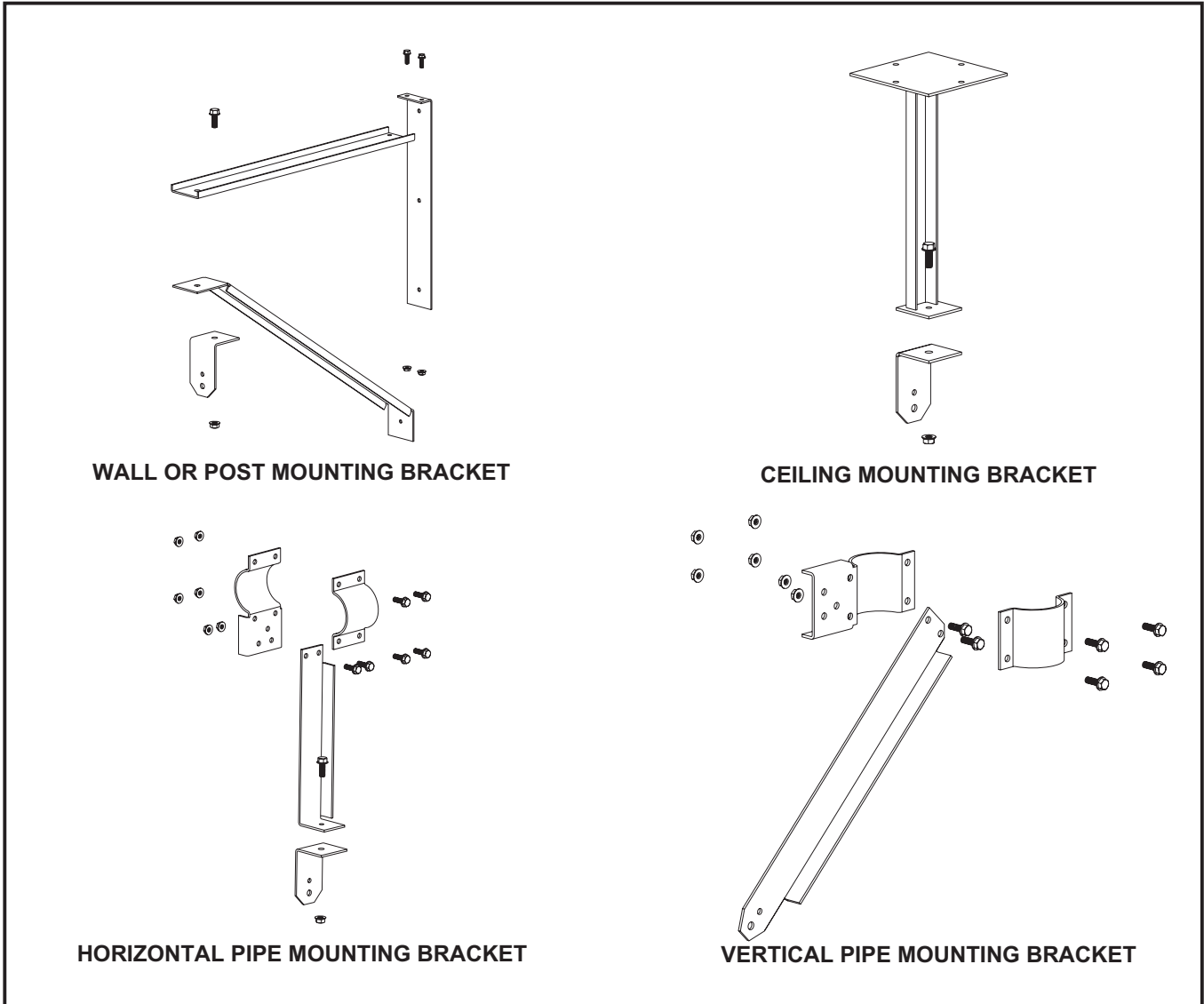
Optional Standard Mounting Bracket

FAN SIZE	MODEL	RPM	MOTOR HP	VOLTAGE	HZ	WATTS*	AIR FLOW	CFM/WATT
12"	◆HAF12A4	1566	1/15	115/1	60	124.5	1145	9.2
20"	◆HAF20A4	1626	1/15	115/1	60	105.0	3005	28.6
20"	HAF20F4	1686	1/3	115/230/1	60	402.5	5105	12.7
36"	HAF36G8	808	1/2	115/230/1	60	680.0	12280	18.1
36"	HAF36G8	808	1/2	★200/230/460/3	60	680.0	12280	18.1

* Watt reading is corrected to standard air density.
 ◆ Available with variable speed controller.
 ★ 200/230/3 dual voltage or 460/3 single voltage

Speed (RPM) shown is nominal.
 Performance is based on actual speed of test.
 Performance ratings include the effect of guards.

THIS UNIT HAS ROTATING PARTS AND SAFETY PRECAUTIONS SHOULD BE EXERCISED DURING INSTALLATION, OPERATION AND MAINTENANCE. OSHA APPROVED GUARDS MUST BE INSTALLED WHEN FAN IS WITHIN REACH OF PEOPLE OR WITHIN 8 FEET (2.5 METERS) OF WORKING LEVEL OR WHEN DEEMED ADVISABLE FOR SAFETY. GUARDS CURRENTLY INSTALLED ON HAF12A4, DO NOT MEET OSHA REQUIREMENTS.



LIMITED WARRANTY Acme Engineering and Manufacturing Corporation extends this limited warranty to the original purchaser and warrants that products described herein shall be free from original defects in workmanship and materials for two years from date of shipment (except for Acme's exclusive duplex split pillow block bearings and shaft 5 years from shipment, belts one year from shipment, and polyethylene tubing at 90 days from shipping), provided same have been properly handled, stored, installed, serviced, maintained and operated. Refer to Form MS149 for complete limited warranty terms and conditions. This form is available to anyone at www.acmefan.com. The Company's warranty is in lieu of all other warranties, express or implied, arising by law or otherwise, including without limitation the implied warranties of merchantability and fitness for a particular purpose, which are hereby expressly disclaimed and waived.

Acme products are designed and manufactured to provide reliable performance but they are not guaranteed to be 100% free of defects. Even reliable products will experience occasional failures and this possibility should be recognized by the Purchaser and End User. If these products are used in a life support ventilation system where failure could result in loss or injury, the Purchaser and End User should provide adequate back-up ventilation, supplementary natural ventilation or failure alarm system, or acknowledge willingness to accept the risk of such loss or injury.

WARNING DO NOT use in HAZARDOUS ENVIRONMENTS where fan's electrical system could provide ignition to combustible or flammable materials unless unit is specifically built for hazardous environments. Comply with all local and national safety codes including the National Electrical Code (NEC) and National

Fire Protection Act (NFPA). Guards must be installed when fan is within reach of personnel or within eight (8) feet (2.5 m) of working level or when deemed advisable for safety.

DISCLAIMER The Company has made a diligent effort to illustrate and describe the products in this literature accurately; however, such illustrations and descriptions are for the sole purpose of identification, and do not express or imply a warranty that the products are merchantable, or fit for a particular purpose.

INDEMNITY Purchaser acknowledges various warnings by the Company regarding the products and its installation and use. If the Company incurs any claims, lawsuits, settlements, or expenses (including attorney fees) for any loss, injury, death or property damage including, but not limited to, claims arising out of the Purchaser's or any end user's installation or use of the products, the Purchaser shall indemnify and hold the Company harmless.



ACME ENGINEERING & MANUFACTURING CORP.

P.O. Box 978, Muskogee, Oklahoma 74402
 Telephone: 918-682-7791 Fax: 918-682-0134
www.acmeag.com e-mail: acmeag@acmefan.com
www.acmehort.com e-mail: acmehort@acmefan.com

Member Air Movement and Control Association International, Inc.

July 2006

Form B147F