



Est. 1938

Gravity Relief/Supply Vent Model LQV

Model LQV is a gravity relief/supply vent. The low silhouette of the LQV harmonizes with modern architectural design.

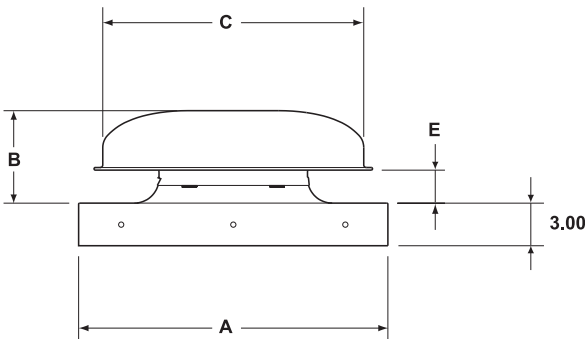


Construction Features

- Hood, orifice and curbcap constructed of heavy gauge aluminum
- Removable hood
- Large streamlined orifice permits efficient, less turbulent airflow
- Birdscreen constructed of heavy gauge galvanized steel wire mesh
- Can be converted to power roof ventilator by adding fan unit except for sizes 42" and 48"

Options/Accessories

- Prefabricated Curbs
- Dampers
- Coatings
- Insect Screen



Model	A	B	C	E	Throat		Est. Ship Wt.	Curb Model
					Dia.	Area		
					LQV10	22.00		
LQV12	24.00	6.74	21.00	2.49	12.13	.80	18	C22.5
LQV14	26.00	8.10	24.00	3.35	14.00	1.07	20	C24.5
LQV16	28.00	9.83	27.63	4.58	16.00	1.40	25	C26.5
LQV18	31.00	10.76	31.60	5.01	18.50	1.84	35	C29.5
LQV21	34.00	12.09	36.72	5.47	21.13	2.43	71	C32.5
LQV24	38.00	13.70	41.38	5.20	24.38	3.24	100	C36.5
LQV30	46.00	15.89	52.13	6.89	30.50	5.07	159	C44.5
LQV36	52.50	18.67	61.19	9.67	36.50	7.27	203	C51.0
LQV42	54.00	25.50	82.12	13.14	42.00	9.70	300	C52.5
LQV48	60.00	29.00	82.12	16.72	48.00	12.60	337	C58.5

Dimensions are shown in inches.
Weights are shown in pounds.

PERFORMANCE DATA					
Model	CFM vs. Static Pressure				
	.05"	.10"	.15"	.20"	.25"
LQV10	360	515	630	725	810
LQV12	480	675	830	955	1070
LQV14	630	890	1090	1260	1410
LQV16	830	1175	1440	1665	1860
LQV18	1095	1555	1900	2195	2455
LQV21	1450	2050	2510	2900	3240
LQV24	1910	2705	3315	3825	4280
LQV30	2955	4180	5120	5910	6610
LQV36	4300	6080	7450	8600	9620
LQV42	5860	8250	10200	11750	13150
LQV48	7710	10770	13350	15350	17300

For more information on this product contact your sales support.