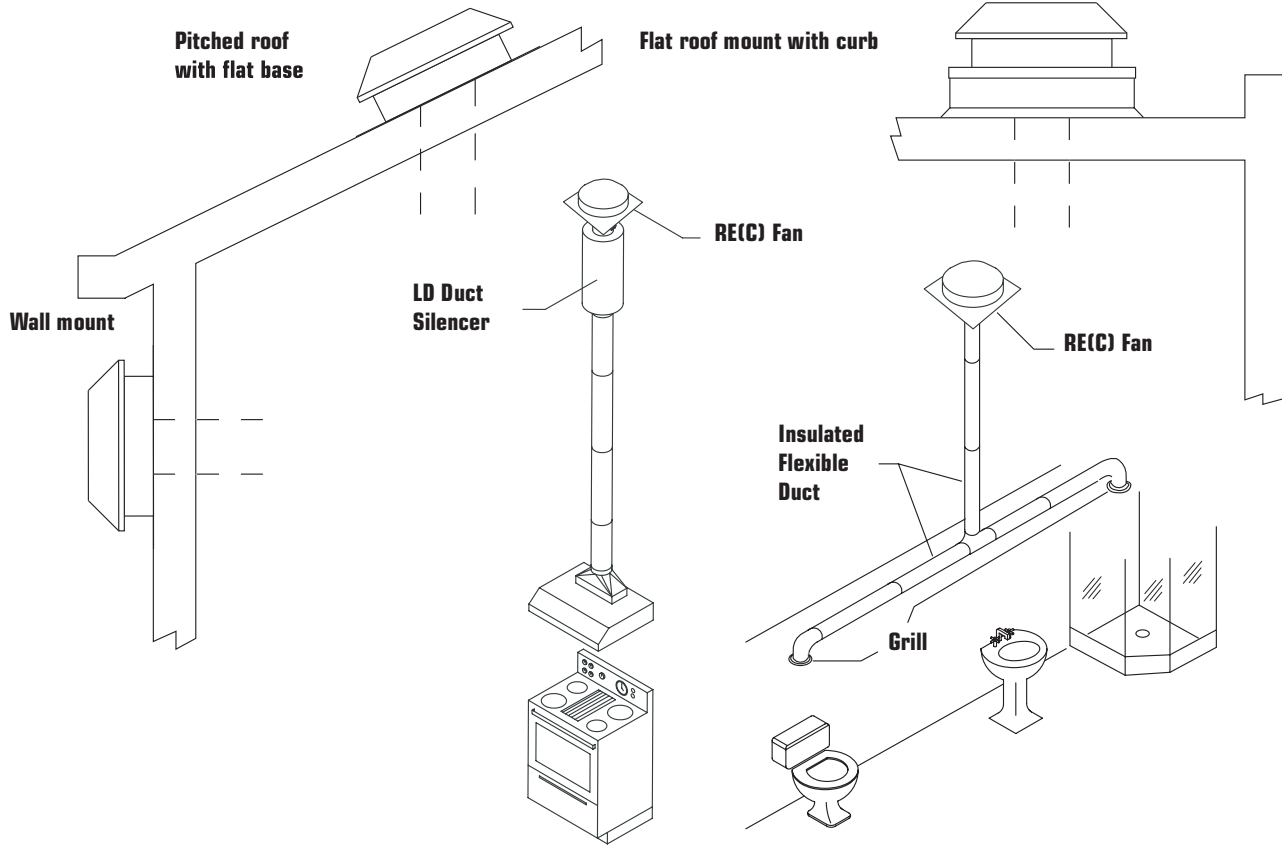
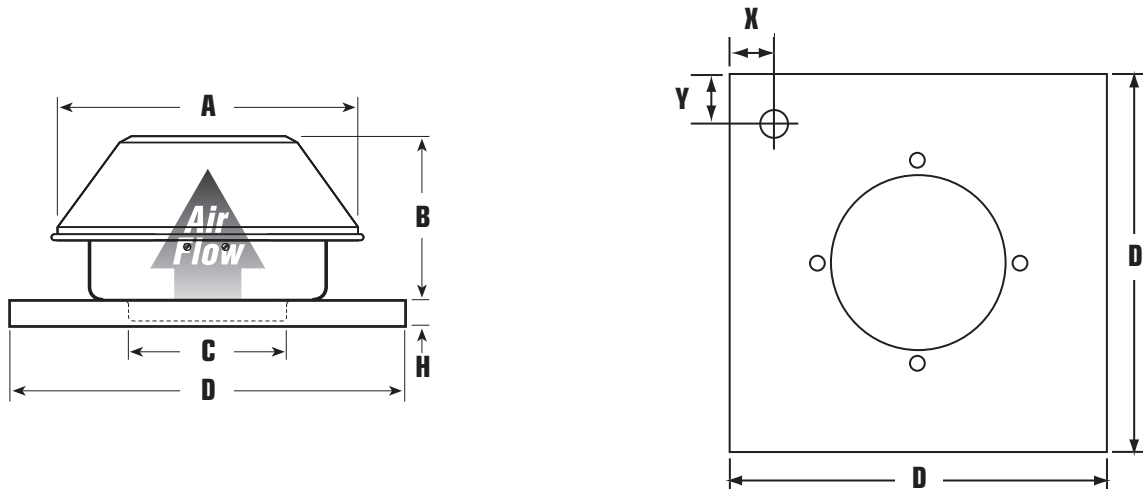


# Typical Installations



# Dimensions



Model	A	B	C	D	X	Y	Max RPM	Max Watts	Max Amps
RE(C) 54*	10 15/16	6	5	15 1/2	2 3/4	6 11/16	3040	19	0.18
RE(C) 6	13 15/16	6 1/4	6	15 1/2	3 9/16	2 1/2	2700	87	0.80
RE(C) 8XL	16 9/16	5 15/16	8	20	6 9/16	2 15/16	2800	153	1.40
RE(C) 10XL	20 13/16	11 1/2	10	20	3	3	3250	394	3.60
RE(C) 10XLT	20 13/16	12 11/16	10	20	3	3	2950	531	4.86

All dimensions in inches.  
 \*H\* dimensions is 1 1/2 on model REC only  
 \* Optional 4" reducer for dimension C